

Alca PLAST®



Floor drains
2014/2015

Alca PLAST® Academy

ŠKOLICÍ STŘEDISKO TRAINING CENTRE

QUALITY

ALCAPLAST company has implemented the ISO 9001:2008 quality management system and is certified by Det Norske Veritas.

Manufactured products are designed according to valid standards, and are also tested at every stage of development.

Czech Product



INNOVATION

At the beginning of 2012, a new modern production hall. ALCAPLAST production facilities therefore have expanded to about 30,000 square meters. Custom molds production, development work, utility models and patents along with the most modern machinery are the cornerstones of the successful growth of ALCAPLAST.

DYNAMIC

ALCAPLAST company is one of the largest manufacturers of sanitary ware in Central and Eastern Europe with its own branches in the Slovak Republic, Hungary, Poland, Romania and Belarus. In our company philosophy, design and quality play a vital and crucial role. The ALCAPLAST assortments of products were formed by many years of experience with regard to customer needs and requirements, new trends, market exposure while retaining an environmentally friendly stance.

ISO 9001:2008 Certificate



	= Floor drain for interior applications
	= Floor drain for exterior applications
	= Wet odour trap
	= Combined odour trap SMART
	= Dry odour trap
	= Side outlet
	= Straight outlet
	= Universal part
	= Load class K3
	= UV resistant material
	= Heat resistant material
	= 2nd level of isolation

ALCAPLAST floor drains	4-5
Advantages of ALCAPLAST floor drains	6-7
Technical solution of ALCAPLAST floor drains	8-9
Floor drains with design grids	
APV101, APV201	10
APV102, APV202	11
APV103, APV203	12
Floor drains with stainless steel grids	
APV3344, APV4344	13
APV3444, APV4444	14
APV26C, APV26	15
APV1324, APV2324	16
APV1321, APV2321	17
APV1311, APV2311	18
APV31, APV32	19
APV1, APV2	20
APV5411, APV6411	21
APV12, APV13	22
Floor drains with plastic grids	
APV10, APV11	23
APV5111, APV6111	24
APV5211, APV6211	25
APV3, APV4	26
APV15, APV16	27
Floor drains – parts	28-29
Installation possibilities for floor drains	30-31
Step-by-step floor drains installation	32
Step-by-step floor drains installation with a stainless steel flange and a collar-2nd level isolation	33
Technical solution for ALCAPLAST universal rain drums	34-35
Universal rain drum installation	35
Universal rain drums	
AGV1, AGV1S	36
AGV2, AGV2S	37
AGV4, AGV4S	38
AGV3, AGV3S	39
Universal rain drums – parts	40
Sales and training support	41
Notes	41
ALCA Shower drains	42-45

Alcaplast floor drains

BATHROOM

TECHNICAL
AREAS

OUTDOOR
AREAS



ALCAPLAST floor drains are ideal solution for draining areas at a single point such as bathrooms, terraces, balconies, basements, boiler rooms, swimming pools, horizontal roofs and other places without traffic. Floor drains are suitable for new buildings, where they can provide the necessary pre-installation conditions, and for reconstruction due to their low installation height thus allowing for a seamless installation. Of course they are also compatible with all types of flooring materials such as concrete, plastic, wood, ceramic tiles etc.

PLACEMENT OF FLOOR DRAINS BY AREA



For easier and faster orientation in selecting the right ALCAPLAST drain for your application you can find the following table where for each type we have marked their recommended usage area.

For simplicity, these locations are divided into three categories – bathrooms, technical areas and outdoor areas. The bathroom category includes all areas with expected frequent usage and water flowing regularly into the drain. Technical areas are spaces that are used less frequently, like laundry rooms, boiler rooms and recreational facilities. Outdoor areas are all areas where there is chance for the temperatures to drop below zero degrees.

The individual components of ALCAPLAST drains are 100% interchangeable. Therefore, at any time you can replace the already installed odour trap with a different type and thus respond to the change in current conditions of use (regular waterflow, irregular waterflow, temperatures drop below freezing point).

Table of recommended locations for floor drains:

	BATHROOM	TECHNICAL AREAS	OUTDOOR AREAS
APV3344, APV4344, APV3444, APV4444 *	■	■	■
APV1324, APV2324, APV1321, APV2321, APV31, APV32 **	■	■	—
APV101, APV201, APV102, APV202, APV103, APV203, APV26, APV1311, APV2311, APV1, APV2, APV5411, APV6411, APV12, APV13, APV10, APV11, APV5111, APV6111, APV5211, APV6211, APV3, APV4, APV15, éAPV16	■	■	—
APV26C	—	—	■

* Placement of floor drains depends on the choice of wet or dry trap, the chosen trap is included in the box.

** Drains contain combined trap **SMART**.

Advantages of Alcaplast floor drains

PERFECT
BONDING WITH THE
CONSTRUCTION SITE
WATERPROOFING

HIGH WATER FLOW

100% COMPATIBILITY
OF COMPONENTS

6 YEARS WARRANTY



PERFECT BONDING WITH THE CONSTRUCTION SITE WATERPROOFING



Perfect execution of waterproofing is the current trend in the construction industry, which uses modern technology, materials and design solutions.

ALCAPLAST has introduced new floor drain bodies, which have a wide collar designed to allow safe connection to the waterproofing of the construction site. If necessary, you can use a stainless steel flange, which strengthens the connection and secures it even more.

A novelty is also the collar – second isolation level, which allows the connection of the waterproofing layer applied directly under the tiles to the drain throat.

The grout between the tiles is not waterproof, and with frequent use of the drain, leakage occurs in the layer between the base isolation and the floor tiles and thus causing damage. The collar – second level isolation could solve this problem.

HIGH WATER FLOW

The structural design of the odour trap and ALCAPLAST floor drain bodies ensures a high flow rate (up to 84 l/min). This is a condition in areas with intensive use of drains, such as shower enclosures with large format shower heads, but also in places where the drain safety feature against flooding is needed – such as laundries or boilers.

100% COMPATIBILITY OF COMPONENTS



Individual components of the ALCAPLAST floor drains are interchangeable.

This allows you during the installation process to flexibly respond to changing conditions and technical requirements for drain by replacing or adding suitable parts. Also with already installed drains you can later replace the removable parts with an alternative piece, which better suits the actual requirements.

6 YEARS WARRANTY

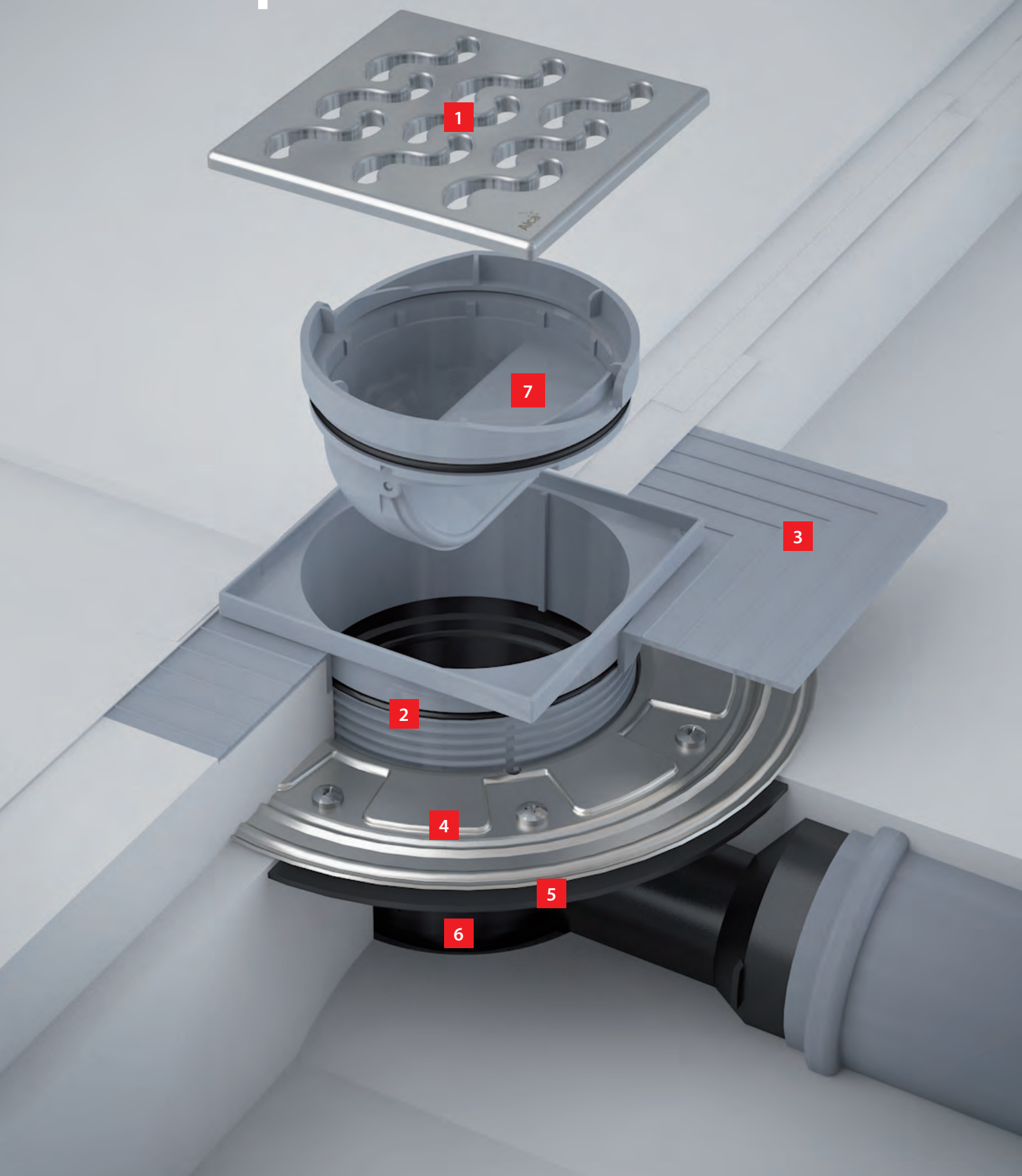


The material and technological processing of all the parts of the ALCAPLAST floor drains meets the highest requirements for modern building technology. Visible components contain a UV stabilizer which protects against aging, fading and degradation of plastic. Functional parts are made of materials that are highly resistant to mechanical, chemical and thermal damage.

Drains undergo regular stress tests and the entire production process is regularly checked by the quality department under the ISO 9001:2008 standard.



Technical solution of Alcaplast floor drains



1 GRID

You can choose from different sizes, materials and grid designs. Grid sizes are 102 × 102 mm or 143 × 143 mm. Grid materials can be polypropylene, polished AISI 304 stainless steel or eventually AISI 316 in particularly for aggressive environments (swimming pool water with chemicals etc.) or a design grid made from brass with a chrome plated finish that will complement the new modern style of any interior. Guaranteed maximum load capacity is 300 kg, corresponding to load class K3.

2 DRAIN THROAT

The drain throat, has a sufficient structural height of up to 95 mm. Grooves on the drain throat simplifies the cutting of the throat to the required height. Two vertical slots divert residual moisture that penetrates the joints between the tiles back into the drain body. The drain body is made from polypropylene, which contains UV stabilizers against aging, fading and degradation of plastic.

3 COLLAR-2ND LEVEL ISOLATION

The grout between the tiles is not waterproof, and with frequent use of the drain, leakage occurs in the layer between the base isolation and the floor tiles and thus causing damage. The collar – second level isolation allows for the waterproofing layer applied directly under the tiles to connect perfectly with the drain throat.

4 STAINLESS STEEL FLANGE

Stainless steel flange ensures that the drain connection to the waterproofing of the construction site is done with a waterproofing membrane.

5 DRAIN WIDE COLLAR

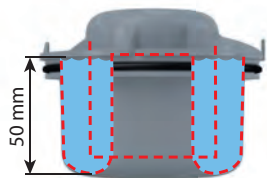
The wide drain collar, is designed so that it can be safely connected to the waterproofing of the construction site. The ribbing on the underside of the collar ensures a stable fit in the underlying material.

6 DRAIN BODY

The drain bodies are made from polypropylene, which is resistant to mechanical, chemical and thermal damage up to 95°C. Connection to the waste pipe is done with diameters of 75 mm or 50 mm. Overall installation height is 79 mm, and for the reduced height version it is 66 mm.

7 ODOUR TRAP

Selecting the odour trap is dependent on the intended use of the drain. We can choose between three basic types: water, mixed and dry.



Wet odour trap

The wet odour trap APV0010 is designed for areas where we expect frequent use with regular water flow into the drain. The level of the water seal in the trap is 50 mm, thereby conforming to DIN EN 1253. Water flow is 44 l/min.



Combined odour trap SMART

Combined odour trap SMART APV0020 is installed in bathrooms or areas where we do not expect regular use of the drain, and this leads to its drying (technical areas). The drain has a safety function against flooding. A mechanical flap prevents odours and water from rising up from the sewer. Flow rate is 31.2 l/min.



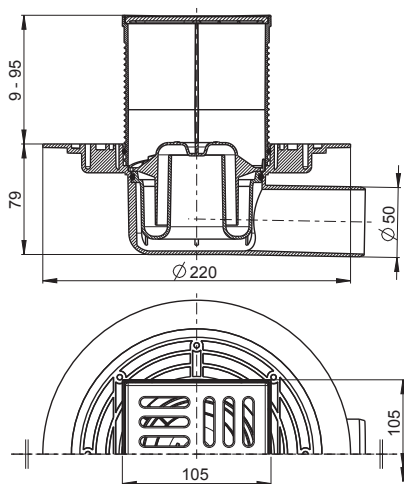
Dry odour trap

The dry odour trap APV0030 is designed for outdoor areas. Its mechanical flap prevents odours coming from the sewer. The flow rate is 80 l/min.



APV101

Floor drain 105 × 105/50 side outlet, brass-chrome plate grid, wet odour trap

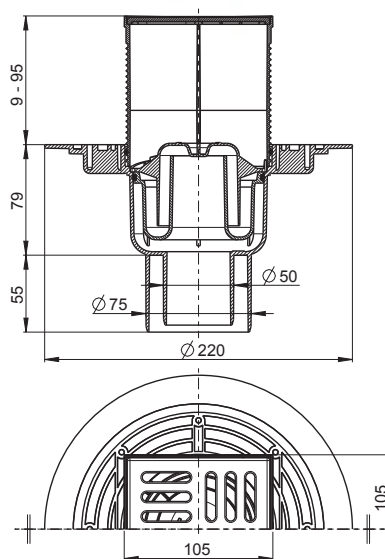


Connection	DN 50; side outlet; connection to HT pipes
Odour trap	Wet odour trap: water seal height 50 mm
Flowrate	Wet odour trap = 44 l/min.
Waterproofing	Isolating collar: wide enough for a reliable connection between the drain body and the construction site waterproofing; without any inner edges – it allows the residual humidity to be drained from between the tiles and the waterproofing into the drain body
Material	PP – polypropylene filled with talc – resistant to mechanical, chemical and thermal damage up to 95°C
Inlet	Frame 105×105 mm; grid 102×102 mm from 5mm chrome plated brass; height-adjustable throat 9–95 mm; grooves for drainage of residual humidity
Load class	K3 = max. 300 kg
Standard	ČSN EN 1253
Recommended for	Bathroom; technical areas
Included	Protective cover for the drain body
Carton	Packing 8 pcs.; dimension 780×245×475 mm; weight 8.2 kg



APV201

Floor drain 105 × 105/50/75 straight outlet, brass-chrome plate grid, wet odour trap



Connection	DN 75 and DN 50; straight outlet; connection to HT pipes
Odour trap	Wet odour trap: water seal height 50 mm
Flowrate	Wet odour trap = 44 l/min.
Waterproofing	Isolating collar: wide enough for a reliable connection between the drain body and the construction site waterproofing; without any inner edges – it allows the residual humidity to be drained from between the tiles and the waterproofing into the drain body
Material	PP – polypropylene filled with talc – resistant to mechanical, chemical and thermal damage up to 95°C
Inlet	Frame 105×105 mm; grid 102×102 mm from 5mm chrome plated brass; height-adjustable throat 9–95 mm; grooves for drainage of residual humidity
Load class	K3 = max. 300 kg
Standard	ČSN EN 1253
Recommended for	Bathroom; technical areas
Included	Protective cover for the drain body
Carton	Packing 8 pcs.; dimension 780×245×475 mm; weight 8.3 kg

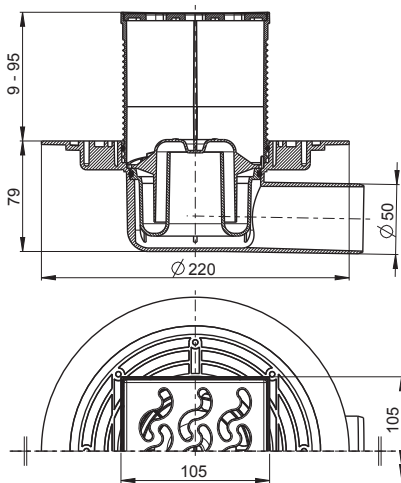


FLOOR DRAINS – PARTS



APV102

Floor drain 105 × 105/50 side outlet, brass-chrome plate grid, wet odour trap

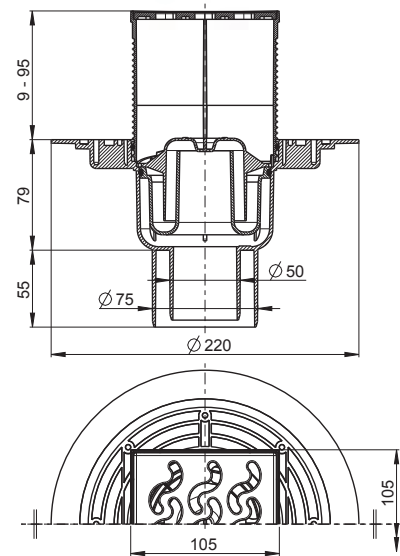


Connection	DN 50; side outlet; connection to HT pipes
Odour trap	Wet odour trap: water seal height 50 mm
Flowrate	Wet odour trap = 44 l/min.
Waterproofing	Isolating collar: wide enough for a reliable connection between the drain body and the construction site waterproofing; without any inner edges – it allows the residual humidity to be drained from between the tiles and the waterproofing into the drain body
Material	PP – polypropylene filled with talc – resistant to mechanical, chemical and thermal damage up to 95°C
Inlet	Frame 105×105 mm; grid 102×102 mm from 5mm chrome plated brass; height-adjustable throat 9–95 mm; grooves for drainage of residual humidity
Load class	K3 = max. 300 kg
Standard	ČSN EN 1253
Recommended for	Bathroom; technical areas
Included	Protective cover for the drain body
Carton	Packing 8 pcs.; dimension 780×245×475 mm; weight 8.3 kg



APV202

Floor drain 105 × 105/50/75 straight outlet, brass-chrome plate grid, wet odour trap



Connection	DN 75 and DN 50; straight outlet; connection to HT pipes
Odour trap	Wet odour trap: water seal height 50 mm
Flowrate	Wet odour trap = 44 l/min.
Waterproofing	Isolating collar: wide enough for a reliable connection between the drain body and the construction site waterproofing; without any inner edges – it allows the residual humidity to be drained from between the tiles and the waterproofing into the drain body
Material	PP – polypropylene filled with talc – resistant to mechanical, chemical and thermal damage up to 95°C
Inlet	Frame 105×105 mm; grid 102×102 mm from 5mm chrome plated brass; height-adjustable throat 9–95 mm; grooves for drainage of residual humidity
Load class	K3 = max. 300 kg
Standard	ČSN EN 1253
Recommended for	Bathroom; technical areas
Included	Protective cover for the drain body
Carton	Packing 8 pcs.; dimension 780×245×475 mm; weight 8.4 kg



FLOOR DRAINS – PARTS



MPV002

APV0600

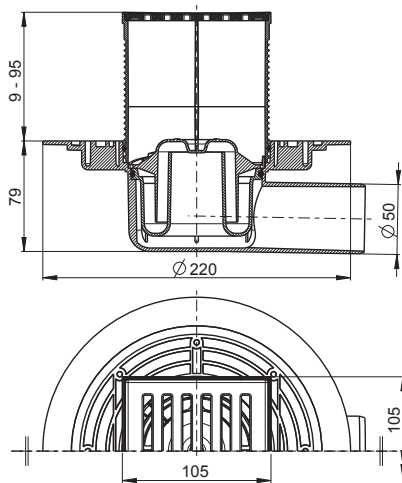
APV0010

APV1000

APV2000

APV103

Floor drain 105 × 105/50 side outlet, brass-chrome plate grid, wet odour trap

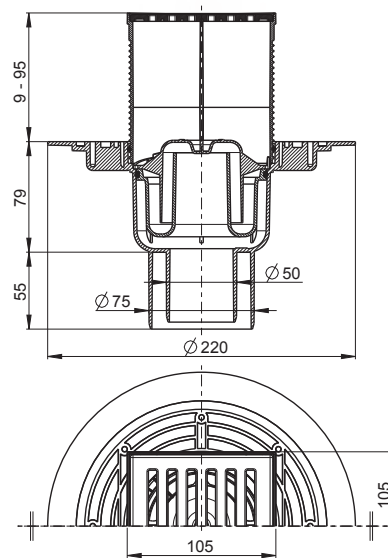


Connection	DN 50; side outlet; connection to HT pipes
Odour trap	Wet odour trap: water seal height 50 mm
Flowrate	Wet odour trap = 44 l/min.
Waterproofing	Isolating collar: wide enough for a reliable connection between the drain body and the construction site waterproofing; without any inner edges – it allows the residual humidity to be drained from between the tiles and the waterproofing into the drain body
Material	PP – polypropylene filled with talc – resistant to mechanical, chemical and thermal damage up to 95°C
Inlet	Frame 105×105 mm; grid 102×102 mm from 5mm chrome plated brass; height-adjustable throat 9–95 mm; grooves for drainage of residual humidity
Load class	K3 = max. 300 kg
Standard	ČSN EN 1253
Recommended for	Bathroom; technical areas
Included	Protective cover for the drain body
Carton	Packing 8 pcs.; dimension 780×245×475 mm; weight 8.1 kg



APV203

Floor drain 105 × 105/50/75 straight outlet, brass-chrome plate grid, wet odour trap



Connection	DN 75 and DN 50; straight outlet; connection to HT pipes
Odour trap	Wet odour trap: water seal height 50 mm
Flowrate	Wet odour trap = 44 l/min.
Waterproofing	Isolating collar: wide enough for a reliable connection between the drain body and the construction site waterproofing; without any inner edges – it allows the residual humidity to be drained from between the tiles and the waterproofing into the drain body
Material	PP – polypropylene filled with talc – resistant to mechanical, chemical and thermal damage up to 95°C
Inlet	Frame 105×105 mm; grid 102×102 mm from 5mm chrome plated brass; height-adjustable throat 9–95 mm; grooves for drainage of residual humidity
Load class	K3 = max. 300 kg
Standard	ČSN EN 1253
Recommended for	Bathroom; technical areas
Included	Protective cover for the drain body
Carton	Packing 8 pcs.; dimension 780×245×475 mm; weight 8.2 kg

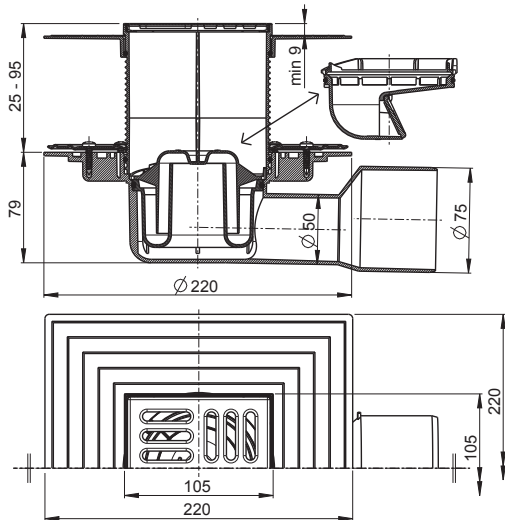


FLOOR DRAINS – PARTS



APV3344

Floor drain 105 × 105/50/75 side outlet, stainless steel grid, stainless steel flange and collar-2nd level insulation, wet and dry trap

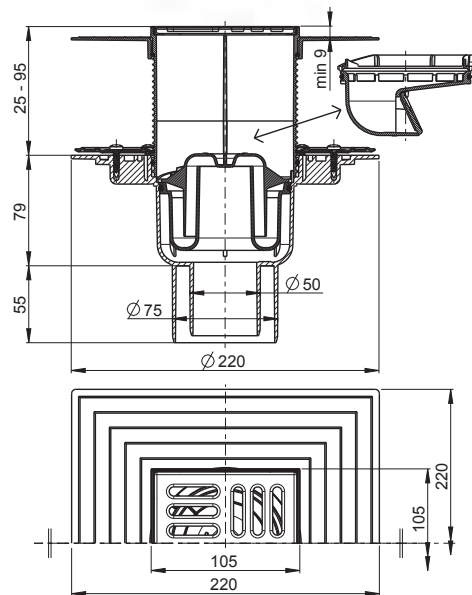


Connection	DN 75 and after cutting DN 50; side outlet; connection to HT pipes
Odour trap	Wet odour trap: water seal height 50 mm
	Dry odour trap: without water seal; with flap
Flowrate	Dry odour trap = 80 l/min.
	Wet odour trap = 44 l/min.
Waterproofing	Isolating collar: wide enough for a reliable connection between the drain body and the construction site waterproofing; without any inner edges – it allows the residual humidity to be drained from between the tiles and the waterproofing into the drain body
	Stainless steel flange: for a perfect hold on the waterproofing membrane; set of 8 screws for installation
	Collar-2nd level isolation: for connecting the waterproofing layers under the tiles to the drain throat
Material	PP – polypropylene filled with talc – resistant to mechanical, chemical and thermal damage up to 95°C
Inlet	Frame 105×105 mm; grid 102×102 mm made from stainless steel AISI 304; height-adjustable throat 25–95 mm; grooves for drainage of residual humidity
Load class	K3 = max. 300 kg
Standard	ČSN EN 1253
Recommended for	Bathroom; technical areas; outdoor areas
Included	Protective cover for the drain body
Carton	Packing 8 pcs.; dimension 560×380×475 mm; weight 10.1 kg



APV4344

Floor drain 105 × 105/50/75 straight outlet, stainless steel grid, stainless steel flange and collar-2nd level insulation, wet and dry trap



Connection	DN 75 and DN 50; straight outlet; connection to HT pipes
Odour trap	Wet odour trap: water seal height 50 mm
	Dry odour trap: without water seal; with flap
Flowrate	Dry odour trap = 80 l/min.
	Wet odour trap = 44 l/min.
Waterproofing	Isolating collar: wide enough for a reliable connection between the drain body and the construction site waterproofing; without any inner edges – it allows the residual humidity to be drained from between the tiles and the waterproofing into the drain body
	Stainless steel flange: for a perfect hold on the waterproofing membrane; set of 8 screws for installation
	Collar-2nd level isolation: for connecting the waterproofing layers under the tiles to the drain throat
Material	PP – polypropylene filled with talc – resistant to mechanical, chemical and thermal damage up to 95°C
Inlet	Frame 105×105 mm; grid 102×102 mm made from stainless steel AISI 304; height-adjustable throat 25–95 mm; grooves for drainage of residual humidity
Load class	K3 = max. 300 kg
Standard	ČSN EN 1253
Recommended for	Bathroom; technical areas; outdoor areas
Included	Protective cover for the drain body
Carton	Packing 8 pcs.; dimension 780×245×475 mm; weight 10.0 kg



FLOOR DRAINS – PARTS



MPV004



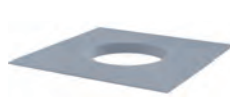
APV0300



APV0010



APV0030



APV0003



APV0002



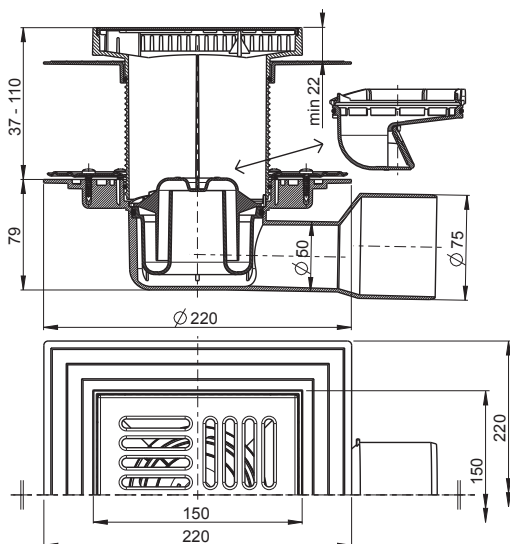
APV3000



APV4000

APV3444

Floor drain 150 × 150/50/75 side outlet, stainless steel grid, stainless steel flange and collar-2nd level insulation, wet and dry trap

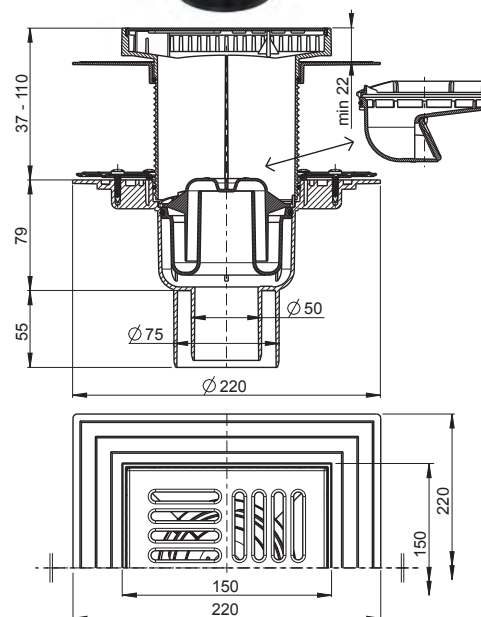
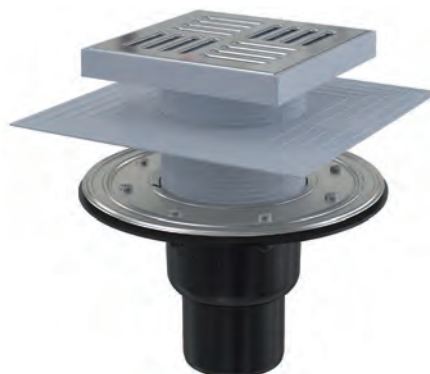


Connection	DN 75 and after cutting DN 50; side outlet; connection to HT pipes
Odour trap	Wet odour trap: water seal height 50 mm
	Dry odour trap: without water seal; with flap
Flowrate	Dry odour trap = 80 l/min.
	Wet odour trap = 44 l/min.
Waterproofing	Isolating collar: wide enough for a reliable connection between the drain body and the construction site waterproofing; without any inner edges – it allows the residual humidity to be drained from between the tiles and the waterproofing into the drain body
	Stainless steel flange: for a perfect hold on the waterproofing membrane; set of 8 screws for installation
	Collar-2nd level isolation: for connecting the waterproofing layers under the tiles to the drain throat
Material	PP – polypropylene filled with talc – resistant to mechanical, chemical and thermal damage up to 95°C
Inlet	Frame 150×150 mm; grid 143×143 mm made from stainless steel AISI 304; height-adjustable throat 37–110 mm; grooves for drainage of residual humidity
Load class	K3 = max. 300 kg
Standard	ČSN EN 1253
Recommended for	Bathroom; technical areas; outdoor areas
Included	Protective cover for the drain body
Carton	Packing 8 pcs.; dimension 560×380×475 mm; weight 11.6 kg



APV4444

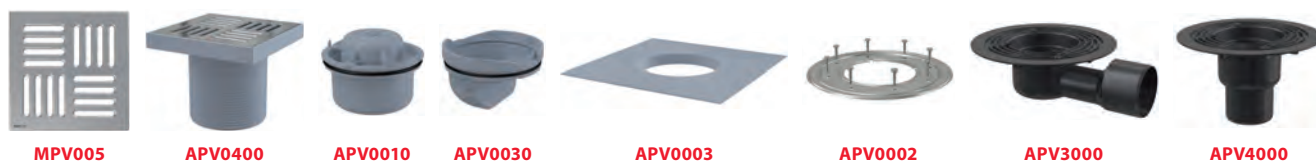
Floor drain 150 × 150/50/75 straight outlet, stainless steel grid, stainless steel flange and collar-2nd level insulation, wet and dry trap



Connection	DN 75 and DN 50; straight outlet; connection to HT pipes
Odour trap	Wet odour trap: water seal height 50 mm
	Dry odour trap: without water seal; with flap
Flowrate	Dry odour trap = 80 l/min.
	Wet odour trap = 44 l/min.
Waterproofing	Isolating collar: wide enough for a reliable connection between the drain body and the construction site waterproofing; without any inner edges – it allows the residual humidity to be drained from between the tiles and the waterproofing into the drain body
	Stainless steel flange: for a perfect hold on the waterproofing membrane; set of 8 screws for installation
	Collar-2nd level isolation: for connecting the waterproofing layers under the tiles to the drain throat
Material	PP – polypropylene filled with talc – resistant to mechanical, chemical and thermal damage up to 95°C
Inlet	Frame 150×150 mm; grid 143×143 mm made from stainless steel AISI 304; height-adjustable throat 37–110 mm; grooves for drainage of residual humidity
Load class	K3 = max. 300 kg
Standard	ČSN EN 1253
Recommended for	Bathroom; technical areas; outdoor areas
Included	Protective cover for the drain body
Carton	Packing 8 pcs.; dimension 780×245×475 mm; weight 11.2 kg

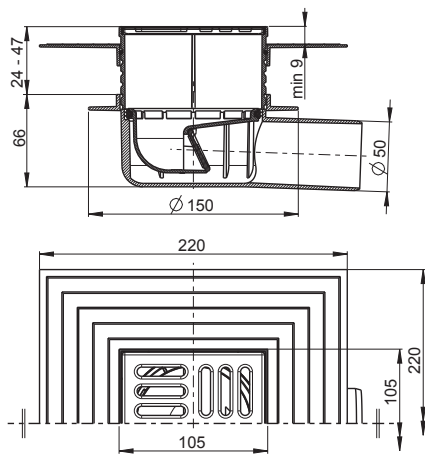


FLOOR DRAINS – PARTS



APV26C

Floor drain 105 × 105/50 side outlet, stainless steel grid, collar-2nd level insulation, dry odour trap

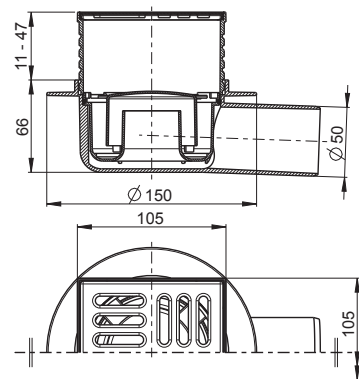
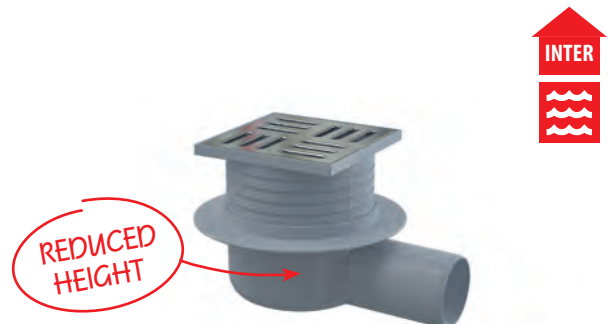


Connection	DN 50; side outlet; connection to HT pipes
Odour trap	Dry odour trap: without water seal; with flap
Flowrate	Dry odour trap = 80 l/min.
Waterproofing	Isolating collar: wide enough for a reliable connection between the drain body and the construction site waterproofing; with an inner edge Collar-2nd level isolation: for connecting the waterproofing layers under the tiles to the drain throat
Material	PP – polypropylene filled with talc – resistant to mechanical, chemical and thermal damage up to 95°C; ABS
Inlet	Frame 105×105 mm; grid 102×102 mm made from stainless steel AISI 304; height-adjustable throat 24–47 mm
Load class	K3 = max. 300 kg
Standard	ČSN EN 1253
Recommended for	Outdoor areas
Carton	Packing 8 pcs.; dimension 780×245×475 mm; weight 5.2 kg



APV26

Floor drain 105 × 105/50 side outlet, stainless steel grid, wet odour trap



Connection	DN 50; side outlet; connection to HT pipes
Odour trap	Wet odour trap: water seal height 25 mm
Flowrate	Wet odour trap = 42 l/min.
Waterproofing	Isolating collar: wide enough for a reliable connection between the drain body and the construction site waterproofing; with an inner edge
Material	ABS
Inlet	Frame 105×105 mm; grid 102×102 mm made from stainless steel AISI 304; height-adjustable throat 11–47 mm
Load class	K3 = max. 300 kg
Standard	ČSN EN 1253
Recommended for	Bathroom; technical areas
Carton	Packing 25 pcs.; dimension 590×390×430 mm; weight 9.7 kg



MPV004

APV0900

APV0030

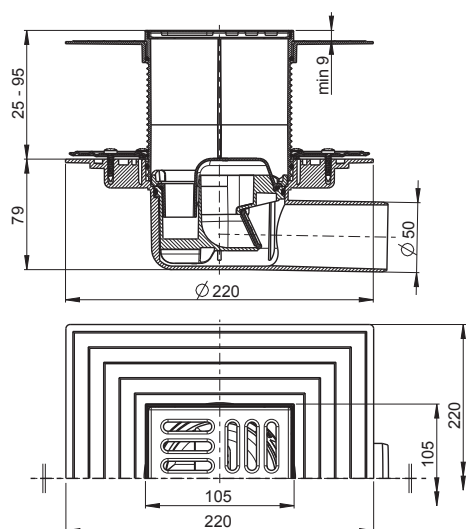
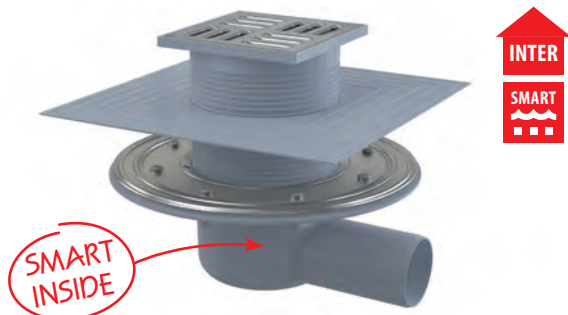
APV0050

APV0003

APV7000

APV1324

Floor drain 105 × 105/50 side outlet, stainless steel grid, stainless steel flange and collar-2nd level insulation, combined odour trap **SMART**

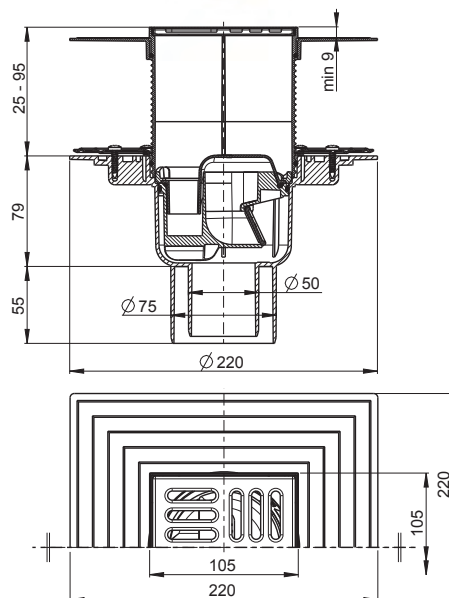
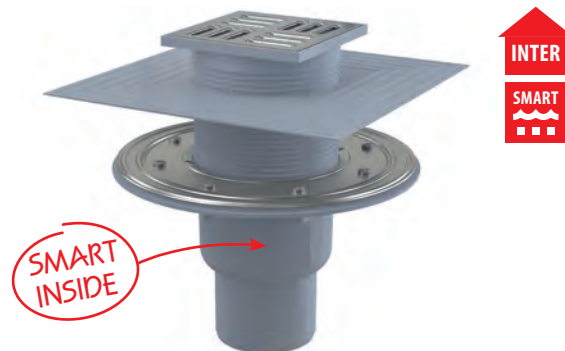


Connection	DN 50; side outlet; connection to HT pipes
Odour trap	Combined odour trap SMART: water seal height 30 mm; with flap
Flowrate	Combined odour trap SMART = 31.2 l/min.
Waterproofing	Isolating collar: wide enough for a reliable connection between the drain body and the construction site waterproofing; without any inner edges – it allows the residual humidity to be drained from between the tiles and the waterproofing into the drain body Stainless steel flange: for a perfect hold on the waterproofing membrane; set of 8 screws for installation Collar-2nd level isolation: for connecting the waterproofing layers under the tiles to the drain throat
Material	PP – polypropylene filled with talc – resistant to mechanical, chemical and thermal damage up to 95°C
Inlet	Frame 105×105 mm; grid 102×102 mm made from stainless steel AISI 304; height-adjustable throat 25–95 mm; grooves for drainage of residual humidity
Load class	K3 = max. 300 kg
Standard	ČSN EN 1253
Recommended for	Bathroom; technical areas
Included	Protective cover for the drain body
Carton	Packing 8 pcs.; dimension 560×380×475 mm; weight 9.6 kg



APV2324

Floor drain 105 × 105/50/75 straight outlet, stainless steel grid, stainless steel flange and collar-2nd level insulation, combined odour trap **SMART**



Connection	DN 75 and DN 50; straight outlet; connection to HT pipes
Odour trap	Combined odour trap SMART: water seal height 30 mm; with flap
Flowrate	Combined odour trap SMART = 31.2 l/min.
Waterproofing	Isolating collar: wide enough for a reliable connection between the drain body and the construction site waterproofing; without any inner edges – it allows the residual humidity to be drained from between the tiles and the waterproofing into the drain body Stainless steel flange: for a perfect hold on the waterproofing membrane; set of 8 screws for installation Collar-2nd level isolation: for connecting the waterproofing layers under the tiles to the drain throat
Material	PP – polypropylene filled with talc – resistant to mechanical, chemical and thermal damage up to 95°C
Inlet	Frame 105×105 mm; grid 102×102 mm made from stainless steel AISI 304; height-adjustable throat 25–95 mm; grooves for drainage of residual humidity
Load class	K3 = max. 300 kg
Standard	ČSN EN 1253
Recommended for	Bathroom; technical areas
Included	Protective cover for the drain body
Carton	Packing 8 pcs.; dimension 780×245×475 mm; weight 9.4 kg

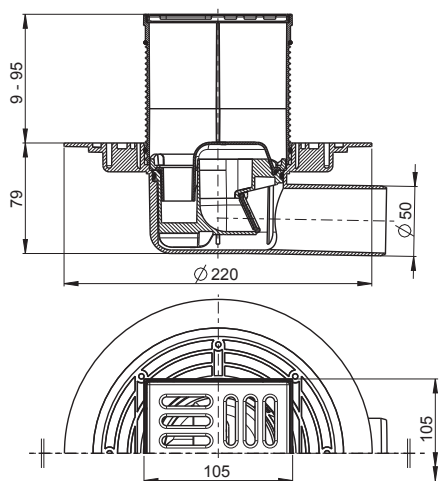
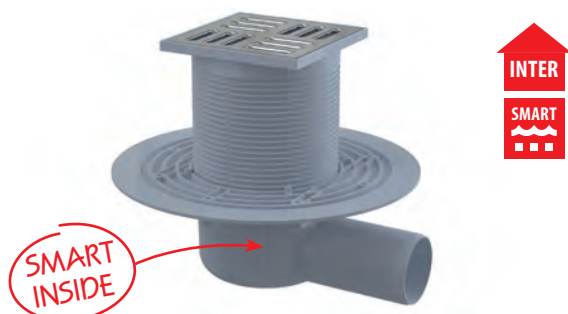


FLOOR DRAINS – PARTS



APV1321

Floor drain 105 × 105/50 side outlet, stainless steel grid, combined odour trap **SMART**

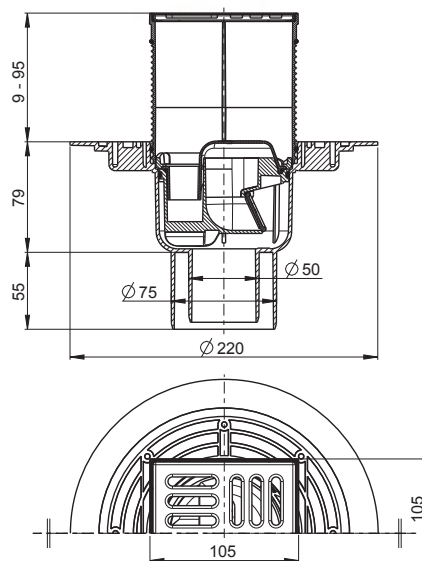
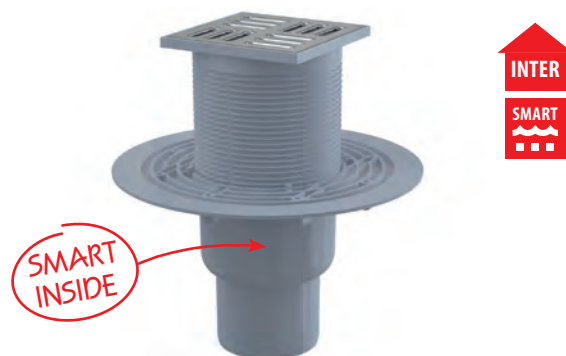


Connection	DN 50; side outlet; connection to HT pipes
Odour trap	Combined odour trap SMART: water seal height 30 mm; with flap
Flowrate	Combined odour trap SMART = 31.2 l/min.
Waterproofing	Isolating collar: wide enough for a reliable connection between the drain body and the construction site waterproofing; without any inner edges – it allows the residual humidity to be drained from between the tiles and the waterproofing into the drain body
Material	PP – polypropylene filled with talc – resistant to mechanical, chemical and thermal damage up to 95°C
Inlet	Frame 105×105 mm; grid 102×102 mm made from stainless steel AISI 304; height-adjustable throat 9–95 mm; grooves for drainage of residual humidity
Load class	K3 = max. 300 kg
Standard	ČSN EN 1253
Recommended for	Bathroom; technical areas
Included	Protective cover for the drain body
Carton	Packing 8 pcs.; dimension 780×245×475 mm; weight 6.6 kg



APV2321

Floor drain 105 × 105/50/75 side outlet, stainless steel grid, combined odour trap **SMART**



Connection	DN 75 and DN 50; straight outlet; connection to HT pipes
Odour trap	Combined odour trap SMART: water seal height 30 mm; with flap
Flowrate	Combined odour trap SMART = 31.2 l/min.
Waterproofing	Isolating collar: wide enough for a reliable connection between the drain body and the construction site waterproofing; without any inner edges – it allows the residual humidity to be drained from between the tiles and the waterproofing into the drain body
Material	PP – polypropylene filled with talc – resistant to mechanical, chemical and thermal damage up to 95°C
Inlet	Frame 105×105 mm; grid 102×102 mm made from stainless steel AISI 304; height-adjustable throat 9–95 mm; grooves for drainage of residual humidity
Load class	K3 = max. 300 kg
Standard	ČSN EN 1253
Recommended for	Bathroom; technical areas
Included	Protective cover for the drain body
Carton	Packing 8 pcs.; dimension 780×245×475 mm; weight 6.7 kg



FLOOR DRAINS – PARTS



MPV004

APV0300

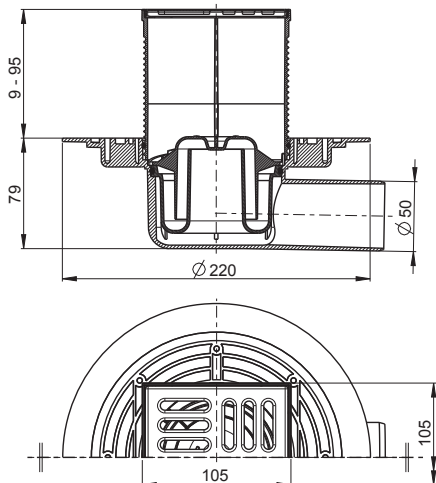
APV0020

APV1000

APV2000

APV1311

Floor drain 105 × 105/50 side outlet, stainless steel grid, wet odour trap

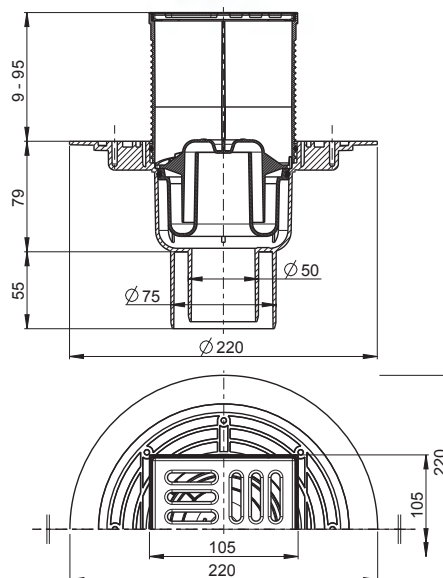


Connection	DN 50; side outlet; connection to HT pipes
Odour trap	Wet odour trap: water seal height 50 mm
Flowrate	Wet odour trap = 44 l/min.
Waterproofing	Isolating collar: wide enough for a reliable connection between the drain body and the construction site waterproofing; without any inner edges – it allows the residual humidity to be drained from between the tiles and the waterproofing into the drain body
Material	PP – polypropylene filled with talc – resistant to mechanical, chemical and thermal damage up to 95°C
Inlet	Frame 105×105 mm; grid 102×102 mm made from stainless steel AISI 304; height-adjustable throat 9–95 mm; grooves for drainage of residual humidity
Load class	K3 = max. 300 kg
Standard	ČSN EN 1253
Recommended for	Bathroom; technical areas
Included	Protective cover for the drain body
Carton	Packing 8 pcs.; dimension 780×245×475 mm; weight 6.6 kg



APV2311

Floor drain 105 × 105/50/75 straight outlet, stainless steel grid, wet odour trap



Connection	DN 75 and DN 50; straight outlet; connection to HT pipes
Odour trap	Wet odour trap: water seal height 50 mm
Flowrate	Wet odour trap = 44 l/min.
Waterproofing	Isolating collar: wide enough for a reliable connection between the drain body and the construction site waterproofing; without any inner edges – it allows the residual humidity to be drained from between the tiles and the waterproofing into the drain body
Material	PP – polypropylene filled with talc – resistant to mechanical, chemical and thermal damage up to 95°C
Inlet	Frame 105×105 mm; grid 102×102 mm made from stainless steel AISI 304; height-adjustable throat 9–95 mm; grooves for drainage of residual humidity
Load class	K3 = max. 300 kg
Standard	ČSN EN 1253
Recommended for	Bathroom; technical areas
Included	Protective cover for the drain body
Carton	Packing 8 pcs.; dimension 780×245×475 mm; weight 6.7 kg

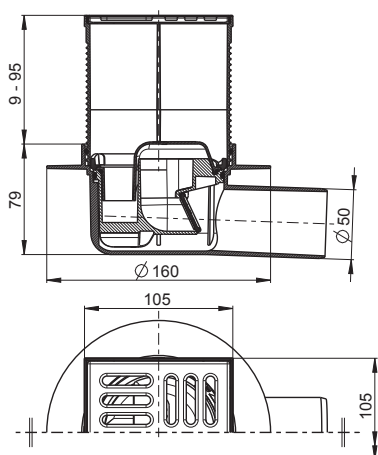
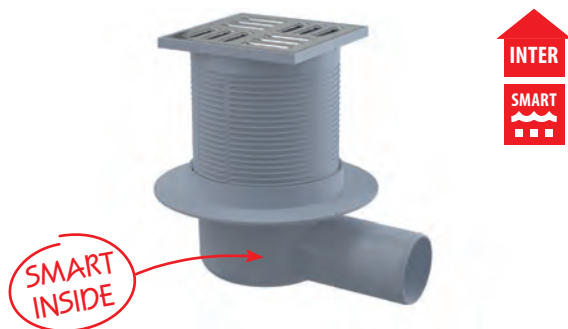


FLOOR DRAINS – PARTS



APV31

Floor drain 105 × 105/50 side outlet, stainless steel grid with combined odour trap **SMART**

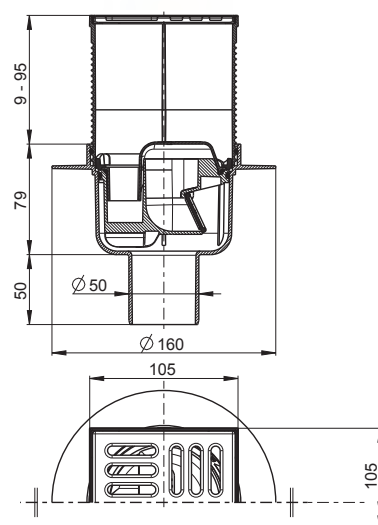
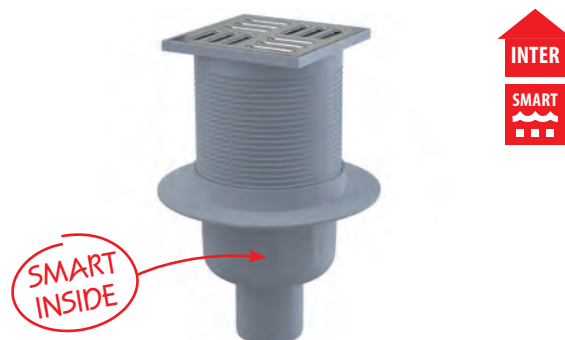


Connection	DN 50; side outlet; connection to HT pipes
Odour trap	Combined odour trap SMART: water seal height 30 mm; with flap
Flowrate	Combined odour trap SMART = 31.2 l/min.
Waterproofing	Isolating collar: wide enough for a reliable connection between the drain body and the construction site waterproofing; with an inner edge
Material	PP – polypropylene filled with talc – resistant to mechanical, chemical and thermal damage up to 95°C; ABS
Inlet	Frame 105×105 mm; grid 102×102 mm made from stainless steel AISI 304; height-adjustable throat 9–95 mm; grooves for drainage of residual humidity
Load class	K3 = max. 300 kg
Standard	ČSN EN 1253
Recommended for	Bathroom; technical areas
Carton	Packing 20 pcs.; dimension 590×390×430 mm; weight 9.4 kg



APV32

Floor drain 105 × 105/50 straight outlet, stainless steel grid with combined odour trap **SMART**



Connection	DN 50; straight outlet; connection to HT pipes
Odour trap	Combined odour trap SMART: water seal height 30 mm; with flap
Flowrate	Combined odour trap SMART = 31.2 l/min.
Waterproofing	Isolating collar: wide enough for a reliable connection between the drain body and the construction site waterproofing; with an inner edge
Material	PP – polypropylene filled with talc – resistant to mechanical, chemical and thermal damage up to 95°C; ABS
Inlet	Frame 105×105 mm; grid 102×102 mm made from stainless steel AISI 304; height-adjustable throat 9–95 mm; grooves for drainage of residual humidity
Load class	K3 = max. 300 kg
Standard	ČSN EN 1253
Recommended for	Bathroom; technical areas
Carton	Packing 20 pcs.; dimension 590×390×430 mm; weight 9.2 kg



FLOOR DRAINS – PARTS



MPV004



APV0300



APV0020



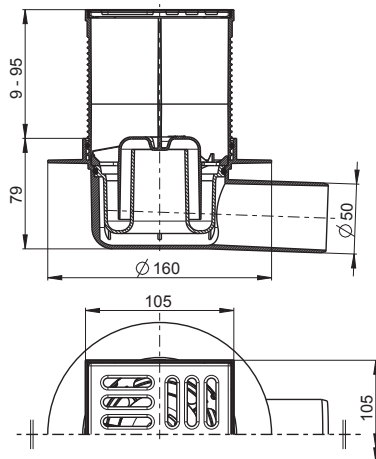
APV5000



APV6000

APV1

Floor drain 105 × 105/50 side outlet stainless steel grid, wet odour trap

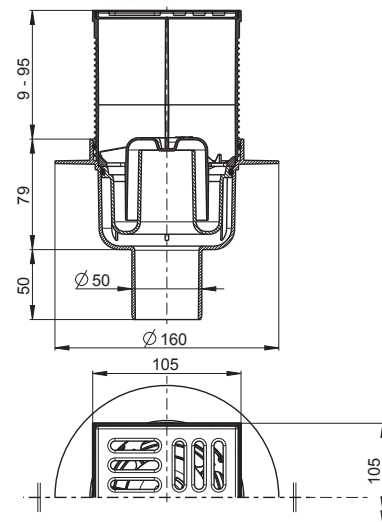


Connection	DN 50; side outlet; connection to HT pipes
Odour trap	Wet odour trap: water seal height 50 mm
Flowrate	Wet odour trap = 44 l/min.
Waterproofing	Isolating collar: wide enough for a reliable connection between the drain body and the construction site waterproofing; with an inner edge
Material	PP – polypropylene filled with talc – resistant to mechanical, chemical and thermal damage up to 95°C; ABS
Inlet	Frame 105×105 mm; grid 102×102 mm made from stainless steel AISI 304; height-adjustable throat 9–95 mm; grooves for drainage of residual humidity
Load class	K3 = max. 300 kg
Standard	ČSN EN 1253
Recommended for	Bathroom; technical areas
Carton	Packing 20 pcs.; dimension 590×390×430 mm; weight 9.2 kg



APV2

Floor drain 105 × 105/50 straight outlet stainless steel grid, wet odour trap



Connection	DN 50; straight outlet; connection to HT pipes
Odour trap	Wet odour trap: water seal height 50 mm
Flowrate	Wet odour trap = 44 l/min.
Waterproofing	Isolating collar: wide enough for a reliable connection between the drain body and the construction site waterproofing; with an inner edge
Material	PP – polypropylene filled with talc – resistant to mechanical, chemical and thermal damage up to 95°C; ABS
Inlet	Frame 105×105 mm; grid 102×102 mm made from stainless steel AISI 304; height-adjustable throat 9–95 mm; grooves for drainage of residual humidity
Load class	K3 = max. 300 kg
Standard	ČSN EN 1253
Recommended for	Bathroom; technical areas
Carton	Packing 20 pcs.; dimension 590×390×430 mm; weight 9.0 kg

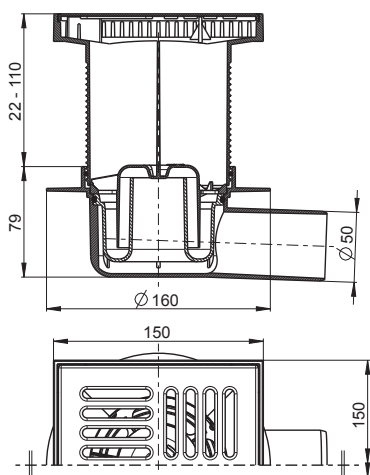


FLOOR DRAINS – PARTS



APV5411

Floor drain 150 × 150/50 side outlet stainless steel grid, wet odour trap

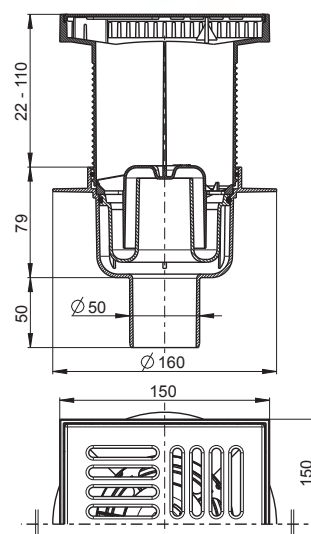


Connection	DN 50; side outlet; connection to HT pipes
Odour trap	Wet odour trap: water seal height 50 mm
Flowrate	Wet odour trap = 44 l/min.
Waterproofing	Isolating collar: wide enough for a reliable connection between the drain body and the construction site waterproofing; with an inner edge
Material	PP – polypropylene filled with talc – resistant to mechanical, chemical and thermal damage up to 95°C; ABS
Inlet	Frame 150×150 mm; grid 143×143 mm made from stainless steel AISI 304; height-adjustable throat 22–110 mm; grooves for drainage of residual humidity
Load class	K3 = max. 300 kg
Standard	ČSN EN 1253
Recommended for	Bathroom; technical areas
Carton	Packing 15 pcs.; dimension 590×390×430 mm; weight 9.8 kg



APV6411

Floor drain 150 × 150/50 straight outlet stainless steel grid, wet odour trap



Connection	DN 50; straight outlet; connection to HT pipes
Odour trap	Wet odour trap: water seal height 50 mm
Flowrate	Wet odour trap = 44 l/min.
Waterproofing	Isolating collar: wide enough for a reliable connection between the drain body and the construction site waterproofing; with an inner edge
Material	PP – polypropylene filled with talc – resistant to mechanical, chemical and thermal damage up to 95°C; ABS
Inlet	Frame 150×150 mm; grid 143×143 mm made from stainless steel AISI 304; height-adjustable throat 22–110 mm; grooves for drainage of residual humidity
Load class	K3 = max. 300 kg
Standard	ČSN EN 1253
Recommended for	Bathroom; technical areas
Carton	Packing 15 pcs.; dimension 590×390×430 mm; weight 9.7 kg



FLOOR DRAINS – PARTS



MPV005



APV0400



APV0010



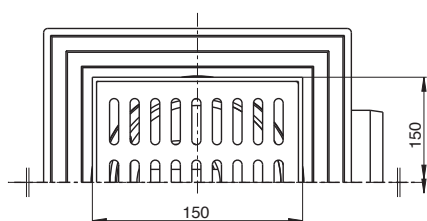
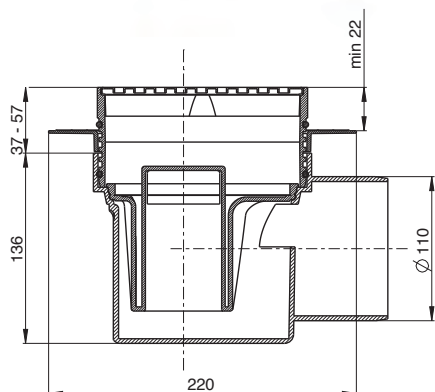
APV5000



APV6000

APV12

Floor drain 150 × 150/110 side outlet, stainless steel grid, collar-2nd level insulation, wet odour trap

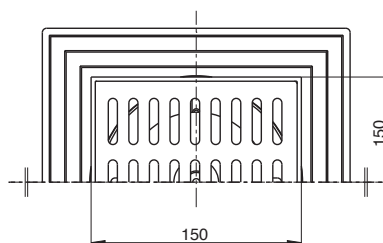
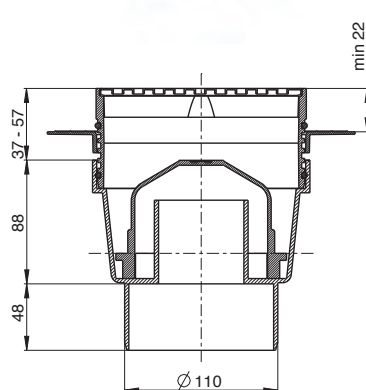


Connection	DN 110; side outlet; connection to HT pipes
Odour trap	Wet odour trap: water seal height 45 mm
Flowrate	Wet odour trap = 48 l/min.
Waterproofing	Collar-2nd level isolation: for connecting the waterproofing layers under the tiles to the drain throat
Material	PP – polypropylene – resistant to mechanical, chemical and thermal damage up to 95°C
Inlet	Frame 150×150 mm; grid 145×145 mm made from stainless steel AISI 304; height-adjustable throat 37–57 mm
Standard	ČSN EN 1253
Recommended for	Bathroom; technical areas
Carton	Packing 8 pcs.; dimension 780×245×475 mm; weight 8.3 kg



APV13

Floor drain 150 × 150/110 straight outlet, stainless steel grid, collar-2nd level insulation, wet odour trap

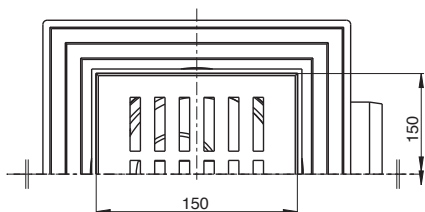
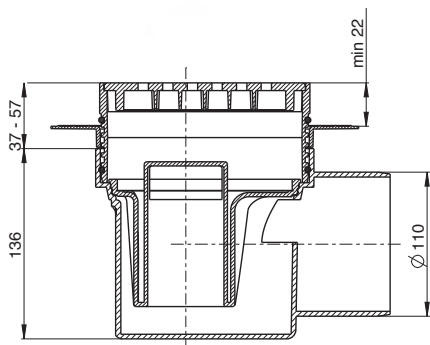


Connection	DN 110; straight outlet; connection to HT pipes
Odour trap	Wet odour trap: water seal height 38 mm
Flowrate	Wet odour trap = 48 l/min.
Waterproofing	Collar-2nd level isolation: for connecting the waterproofing layers under the tiles to the drain throat
Material	PP – polypropylene – resistant to mechanical, chemical and thermal damage up to 95°C
Inlet	Frame 150×150 mm; grid 145×145 mm made from stainless steel AISI 304; height-adjustable throat 37–57 mm
Standard	ČSN EN 1253
Recommended for	Bathroom; technical areas
Carton	Packing 8 pcs.; dimension 780×245×475 mm; weight 6.8 kg



APV10

Floor drain 150 ×150/110 side outlet, grey grid, collar-2nd level insulation, wet odour trap

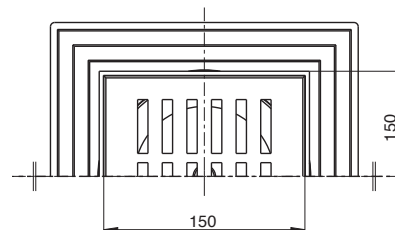
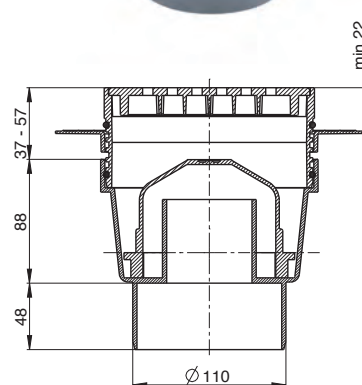


Connection	DN 110; side outlet; connection to HT pipes
Odour trap	Wet odour trap: water seal height 45 mm
Flowrate	Wet odour trap = 48 l/min.
Waterproofing	Collar-2nd level isolation: for connecting the waterproofing layers under the tiles to the drain throat
Material	PP – polypropylene – resistant to mechanical, chemical and thermal damage up to 95°C
Inlet	Frame 150×150 mm; grid 145×145 mm from polypropylene; height-adjustable throat 37–57 mm
Standard	ČSN EN 1253
Recommended for	Bathroom; technical areas
Carton	Packing 8 pcs.; dimension 780×245×475 mm; weight 8.4 kg



APV11

Floor drain 150 ×150/110 straight outlet, grey grid, collar-2nd level insulation, wet odour trap

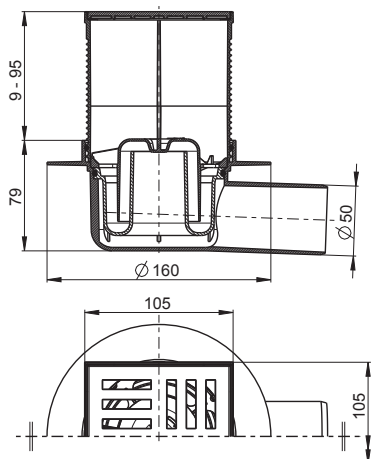


Connection	DN 110; straight outlet; connection to HT pipes
Odour trap	Wet odour trap: water seal height 38 mm
Flowrate	Wet odour trap = 48 l/min.
Waterproofing	Collar-2nd level isolation: for connecting the waterproofing layers under the tiles to the drain throat
Material	PP – polypropylene – resistant to mechanical, chemical and thermal damage up to 95°C
Inlet	Frame 150×150 mm; grid 145×145 mm from polypropylene; height-adjustable throat 37–57 mm
Standard	ČSN EN 1253
Recommended for	Bathroom; technical areas
Carton	Packing 8 pcs.; dimension 780×245×475 mm; weight 6.9 kg



APV5111

Floor drain 105 × 105/50 side outlet, grey grid, wet odour trap

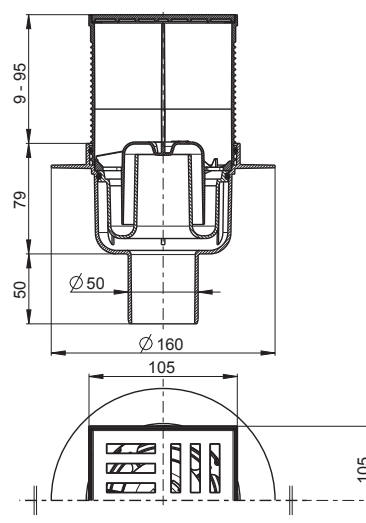


Connection	DN 50; side outlet; connection to HT pipes
Odour trap	Wet odour trap: water seal height 50 mm
Flowrate	Wet odour trap = 44 l/min.
Waterproofing	Isolating collar: wide enough for a reliable connection between the drain body and the construction site waterproofing; with an inner edge
Material	PP – polypropylene filled with talc – resistant to mechanical, chemical and thermal damage up to 95°C; ABS
Inlet	Frame 105×105 mm; grid 102×102 mm from polypropylene; height-adjustable throat 9–95 mm; grooves for drainage of residual humidity
Load class	K3 = max. 300 kg
Standard	ČSN EN 1253
Recommended for	Bathroom; technical areas
Carton	Packing 20 pcs.; dimension 590×390×430 mm; weight 7.9 kg



APV6111

Floor drain 105 × 105/50 straight outlet, grey grid, wet odour trap

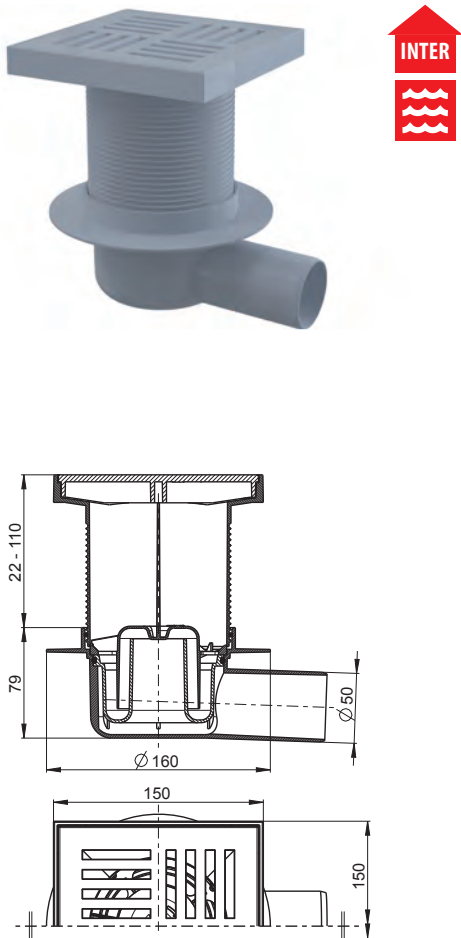


Connection	DN 50; straight outlet; connection to HT pipes
Odour trap	Wet odour trap: water seal height 50 mm
Flowrate	Wet odour trap = 44 l/min.
Waterproofing	Isolating collar: wide enough for a reliable connection between the drain body and the construction site waterproofing; with an inner edge
Material	PP – polypropylene filled with talc – resistant to mechanical, chemical and thermal damage up to 95°C; ABS
Inlet	Frame 105×105 mm; grid 102×102 mm from polypropylene; height-adjustable throat 9–95 mm; grooves for drainage of residual humidity
Load class	K3 = max. 300 kg
Standard	ČSN EN 1253
Recommended for	Bathroom; technical areas
Carton	Packing 20 pcs.; dimension 590×390×430 mm; weight 7.7 kg



APV5211

Floor drain 150 × 150/50 side outlet, grey grid, wet odour trap

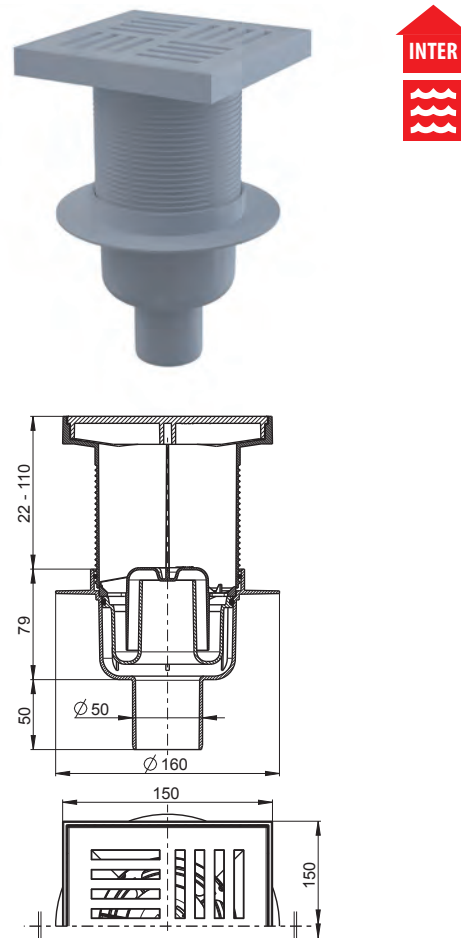


Connection	DN 50; side outlet; connection to HT pipes
Odour trap	Wet odour trap: water seal height 50 mm
Flowrate	Wet odour trap = 44 l/min.
Waterproofing	Isolating collar: wide enough for a reliable connection between the drain body and the construction site waterproofing; with an inner edge
Material	PP – polypropylene filled with talc – resistant to mechanical, chemical and thermal damage up to 95°C; ABS
Inlet	Frame 150×150 mm; grid 143×143 mm from polypropylene; height-adjustable throat 22–110 mm; grooves for drainage of residual humidity
Load class	K3 = max. 300 kg
Standard	ČSN EN 1253
Recommended for	Bathroom; technical areas
Carton	Packing 15 pcs.; dimension 590×390×430 mm; weight 9.0 kg



APV6211

Floor drain 150 × 150/50 straight outlet, grey grid, wet odour trap



Connection	DN 50; straight outlet; connection to HT pipes
Odour trap	Wet odour trap: water seal height 50 mm
Flowrate	Wet odour trap = 44 l/min.
Waterproofing	Isolating collar: wide enough for a reliable connection between the drain body and the construction site waterproofing; with an inner edge
Material	PP – polypropylene filled with talc – resistant to mechanical, chemical and thermal damage up to 95°C; ABS
Inlet	Frame 150×150 mm; grid 143×143 mm from polypropylene; height-adjustable throat 22–110 mm; grooves for drainage of residual humidity
Load class	K3 = max. 300 kg
Standard	ČSN EN 1253
Recommended for	Bathroom; technical areas
Carton	Packing 15 pcs.; dimension 590×390×430 mm; weight 8.8 kg



FLOOR DRAINS – PARTS



MPV007



APV0200



APV0010



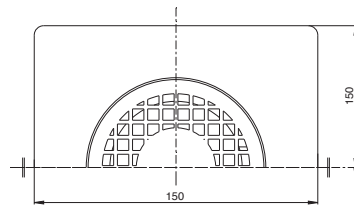
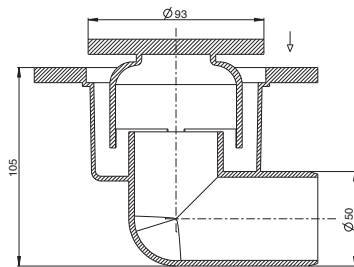
APV5000



APV6000

APV3

Floor drain 150 × 150/50 side outlet, grey grid, wet odour trap

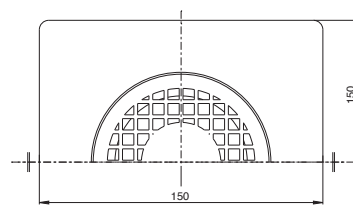
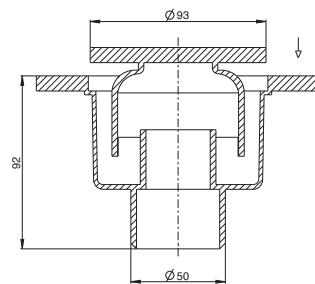


Connection	DN 50; side outlet; connection to HT pipes
Odour trap	Wet odour trap: water seal height 19 mm
Flowrate	Wet odour trap = 24 l/min.
Material	PP – polypropylene – resistant to mechanical, chemical and thermal damage up to 95°C
Inlet	Frame 150×150 mm; grid Ø93 mm from polypropylene
Standard	ČSN EN 1253
Recommended for	Bathroom; technical areas
Carton	Packing 50 pcs.; dimension 800×380×400 mm; weight 13.0 kg

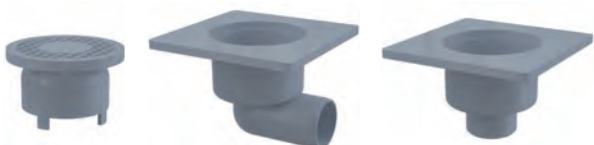


APV4

Floor drain 150 × 150/50 straight outlet, grey grid, wet odour trap

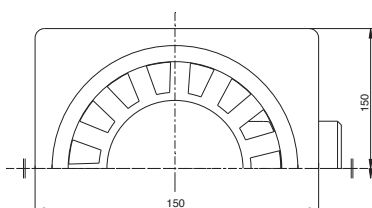
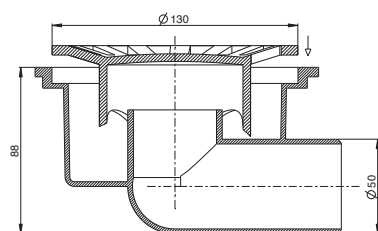


Connection	DN 50; straight outlet; connection to HT pipes
Odour trap	Wet odour trap: water seal height 19 mm
Flowrate	Wet odour trap = 24 l/min.
Material	PP – polypropylene – resistant to mechanical, chemical and thermal damage up to 95°C
Inlet	Frame 150×150 mm; grid Ø93 mm from polypropylene
Standard	ČSN EN 1253
Recommended for	Bathroom; technical areas
Carton	Packing 50 pcs.; dimension 800×380×400 mm; weight 11.5 kg



APV15

Floor drain 150 × 150/50 side outlet, white grid, wet odour trap

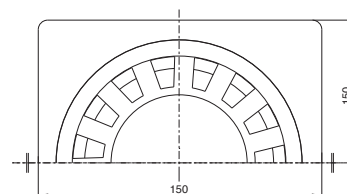
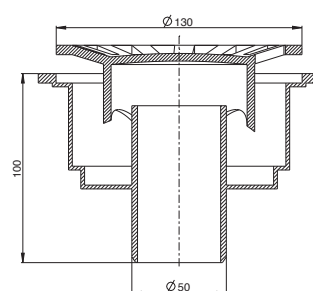


Connection	DN 50; side outlet; connection to HT pipes
Odour trap	Wet odour trap: water seal height 15 mm
Flowrate	Wet odour trap = 24 l/min.
Material	ABS
Inlet	Frame 150×150 mm; grid Ø130 mm z ABS
Standard	ČSN EN 1253
Recommended for	Bathroom; technical areas
Carton	Packing 20 pcs.; dimension 590×390×240 mm; weight 7.2 kg



APV16

Floor drain 150 × 150/50 straight outlet, white grid, wet odour trap



Connection	DN 50; straight outlet; connection to HT pipes
Odour trap	Wet odour trap: water seal height 17 mm
Flowrate	Wet odour trap = 24 l/min.
Material	ABS
Inlet	Frame 150×150 mm; grid Ø130 mm z ABS
Standard	ČSN EN 1253
Recommended for	Bathroom; technical areas
Carton	Packing 20 pcs.; dimension 590×390×240 mm; weight 6.3 kg



Floor drains – parts



MPV001
Grid design 102 × 102/5
brass-chrome plate



MPV002
Grid design 102 × 102 × 5
brass-chrome plate



MPV003
Grid design 102 × 102 × 5
brass-chrome plate



MPV004
102 × 102 stainless
steel grid



MPV005
143 × 143 stainless
steel grid



APV0100
Drain throat, grid 105 × 105
grey



APV0200
Drain throat, grid 150 × 150
grey



APV0300
Drain throat, grid 105 × 105
stainless steel



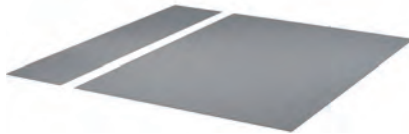
APV0400
Drain throat, grid 150 × 150
stainless steel



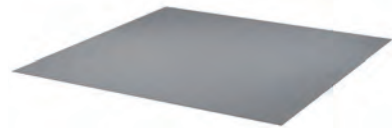
APV0500
Drain throat, grid 105 × 105
chrome plated brass



AIZ1
Self-adhesive waterproofing
membrane for a floor drain 300 × 300



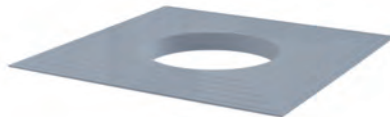
AIZ2
Self-adhesive waterproofing membrane
1,400 × 1,000 + 300 × 1,400



AIZ3
Waterproofing membrane 1,300 × 1,300



APV0002
Stainless steel flange and screws
included in the package



APV0003
Collar-2nd level isolation Ø105



APV0005
Collar-2nd level isolation Ø150



APV0010
Wet odour trap



APV0020
Combined odour
trap **SMART**



APV0030
Dry odour trap



APV0050
Wet odour trap
for APV26



APV1000
Drain body Ø50
side outlet



APV2000
Drain body Ø50/75
straight outlet



APV3000
Drain body Ø50/75
side outlet



APV4000
Drain body Ø50/75
straight outlet



MPV006
102 x 102 grey grid



MPV007
143 x 143 grey grid



MPV008
102 x 102 stainless steel
grid AISI 316



MPV009
143 x 143 stainless steel
grid AISI 316

GRIDS



APV0600
Drain throat, grid 105 x 105
chrome plated brass



APV0700
Drain throat, grid 105 x 105
chrome plated brass



APV0800
Drain throat extension
neck Ø105



APV0900
Drain throat, grid 105 x 105
stainless steel for
APV26, APV26C

DRAIN THROAT

WATERPROOFING TAPE



APV0006
Stainless steel flange seal

STAINLESS STEEL FLANGE AND COLLAR-2ND LEVEL ISOLATION

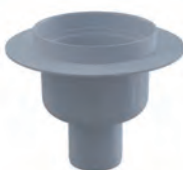


APV0060
Dry odour trap
for APV26C

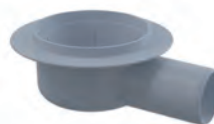
ODOUR TRAPS



APV5000
Drain body Ø50
side outlet



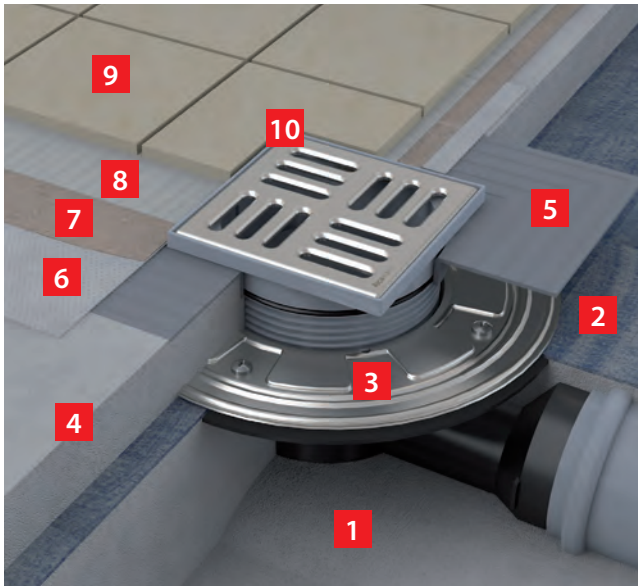
APV6000
Drain body Ø50
straight outlet



APV7000
Drain body Ø50 side outlet
for APV26, APV26C

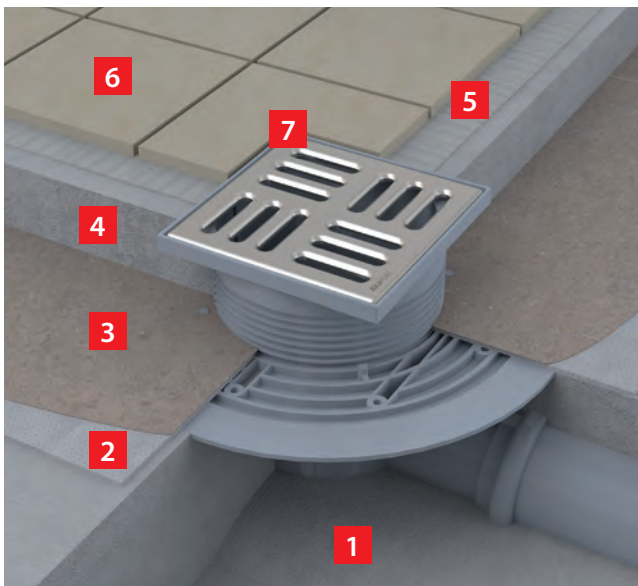
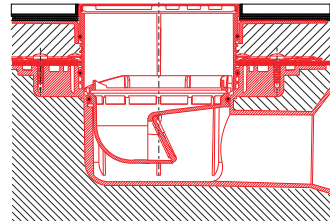
DRAIN BODY

Installation possibilities for floor drains



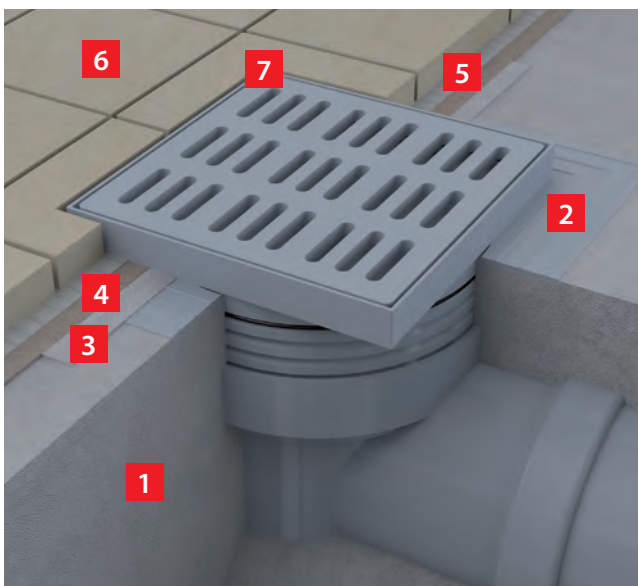
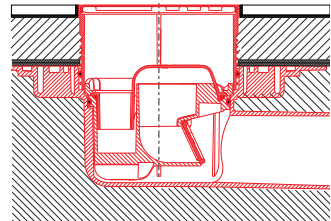
Floor drain APV3344 INSTALLATION IN CONCRETE

- 1 Concrete screed
- 2 Waterproofing membrane AIZ
- 3 Stainless steel flange
- 4 Concrete screed
- 5 Collar-2nd level isolation
- 6 Waterproofing tape
- 7 Waterproofing coating
- 8 Glue
- 9 Tiles
- 10 Permanent elastic filler



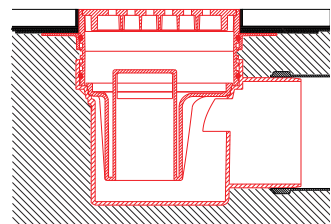
Floor drain APV1321 INSTALLATION IN CONCRETE

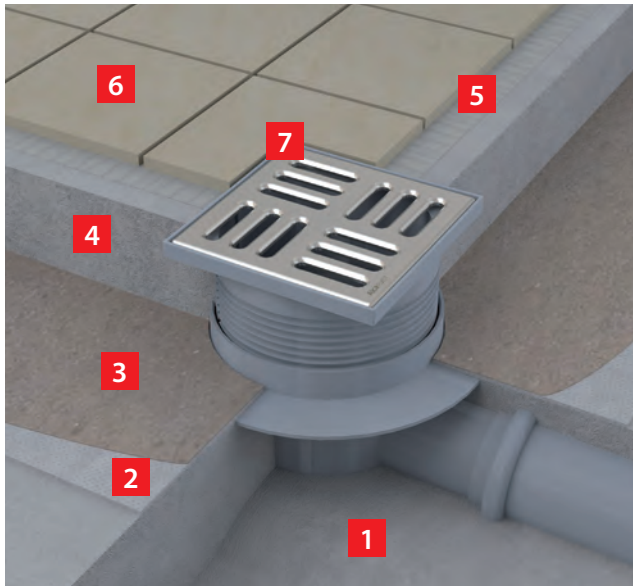
- 1 Concrete screed
- 2 Waterproofing membrane AIZ
- 3 Waterproofing coating
- 4 Concrete screed
- 5 Glue
- 6 Tiles
- 7 Permanent elastic filler



Floor drain APV10 INSTALLATION IN CONCRETE

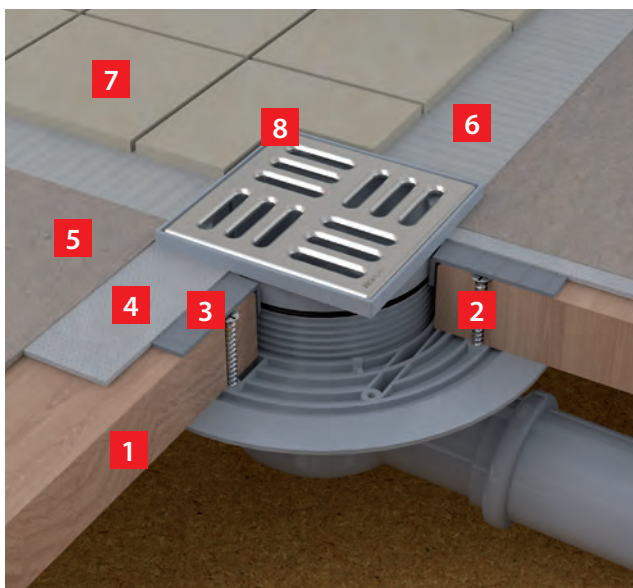
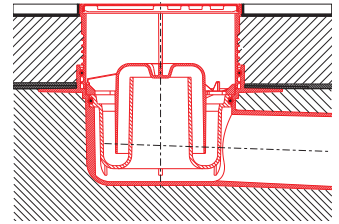
- 1 Concrete screed
- 2 Collar-2nd level isolation
- 3 Waterproofing tape
- 4 Waterproofing coating
- 5 Glue
- 6 Tiles
- 7 Permanent elastic filler





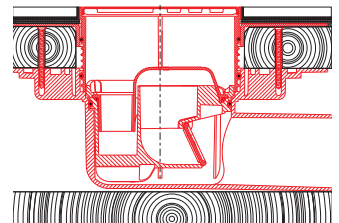
Floor drain APV1 INSTALLATION IN CONCRETE

- 1 Concrete screed
- 2 Waterproofing membrane AIZ
- 3 Waterproofing coating
- 4 Concrete screed
- 5 Glue
- 6 Tiles
- 7 Permanent elastic filler

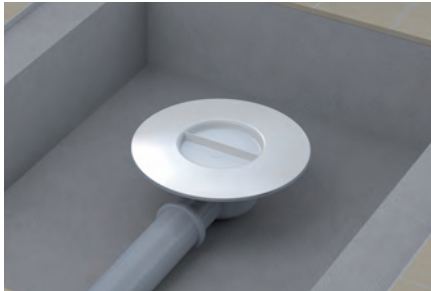


Floor drain APV1324 INSTALLING INTO WOOD

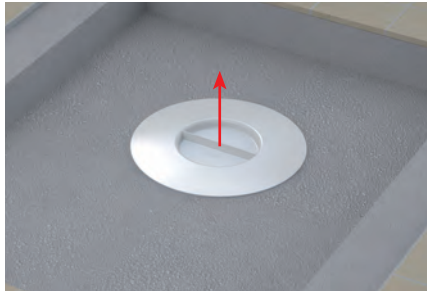
- 1 Floor board
- 2 Screw
- 3 Collar-2nd level isolation
- 4 Waterproofing tape
- 5 Waterproofing coating
- 6 Glue
- 7 Tiles
- 8 Permanent elastic filler



Step-by-step floor drains installation



1 On the supporting structure (or the sound isolation), place the drain body without the trap and drain throat. Into the drain body insert the protective cover. Connect the drain to the sewer drain pipe.



2 Fill the area around the drain with concrete screed up to the isolating collar. After the concrete has dried, remove the protective cover. On the area around the drain body, apply penetration coating.



3 Apply on the area connecting between the isolation collar and the concrete the waterproofing tape. Then cover the entire surface with waterproofing paint or a waterproofing membrane.



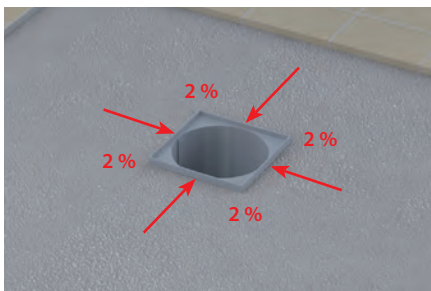
4 Insert the odour trap.



5 Cut the drain throat to the required height. Move the o-ring to the lowest groove. Insert the drain throat into the drain body.



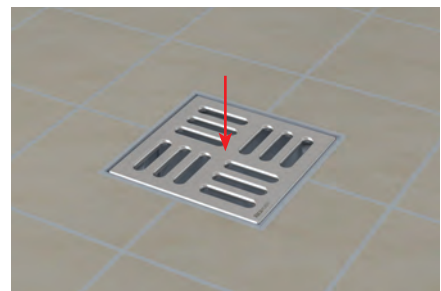
6 Insert the locking ring into the drain throat and turn it clockwise to lock the odour trap.



7 Slope the concrete screed surface towards the grid frame. For proper drainage of water it is necessary to comply with a 2% slope towards the drain.

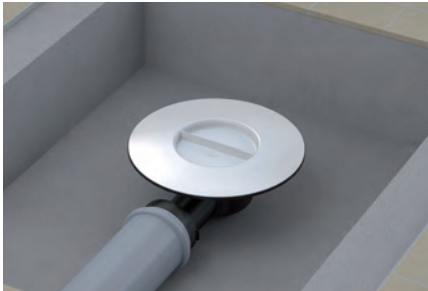


8 Place the tiles up to the grid frame the joint between the frame and the floor tiles fill with a permanently elastic sealant.

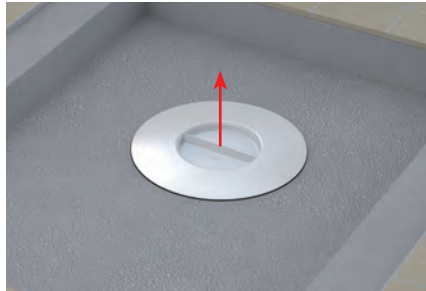


9 Insert into the frame the grid.

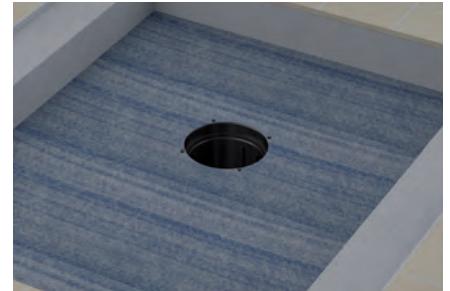
Step-by-step floor drains installation with a stainless steel flange and a collar-2nd level isolation



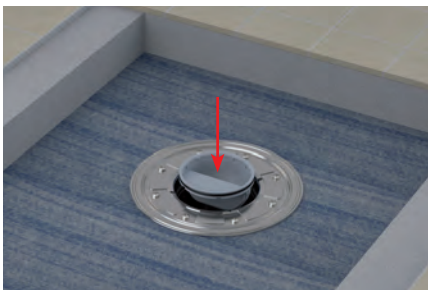
1 On the supporting structure (or the sound isolation), place the drain body without the trap and drain throat. Into the drain body insert the protective cover. Connect the drain to the sewer drain pipe.



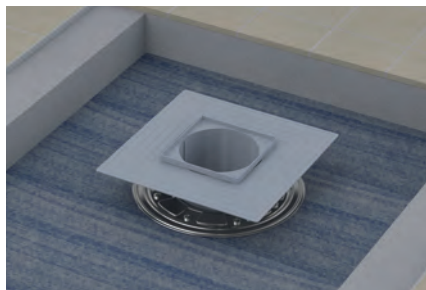
2 Fill the area around the drain with concrete screed up to the isolating collar. After the concrete has dried, remove the protective cover.



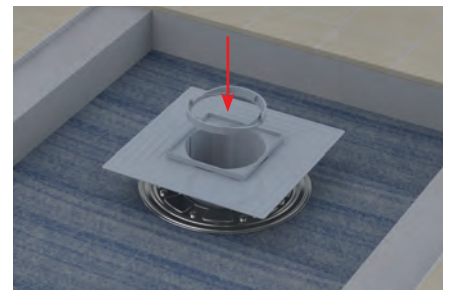
3 On the whole area around the drain body, apply penetration coating. In the waterproofing membrane cut an opening for the drain throat. Glue the membrane on the required area.



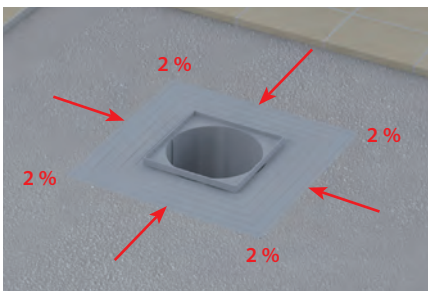
4 Attach the Stainless steel flange with screws to the drain body. This allows for a firm connection between the waterproofing and the drain. Insert the odour trap.



5 Cut the drain throat to the required height. Move the o-ring to the lowest groove. Install the collar-2nd level isolation. The height of the collar and the o-ring should be adjusted according to the thickness of the tiles. Insert the drain throat into the drain body.



6 Insert the locking ring into the drain throat and turn it clockwise to lock the odour trap.



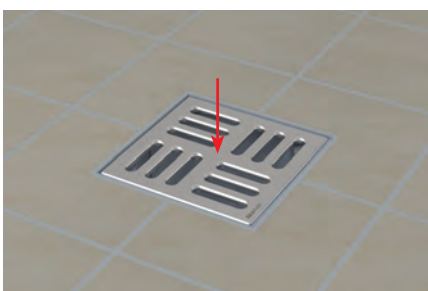
7 Slope the concrete screed surface towards the collar-2nd isolation level. For proper drainage of water it is necessary to comply with a 2% slope towards the drain. On the area around the drain body, apply penetration coating.



8 Apply on the area connecting between the collar-2nd isolation level and the concrete the waterproofing tape. Then cover the entire surface with waterproofing paint or a waterproofing membrane.



9 Place the tiles up to the grid frame. The joint between the frame and the floor tiles fill with a permanently elastic sealant.



10 Insert into the frame the grid.

Technical solution for Alcaplast universal rain drums



BODY WITH HIGH
FLOW RATE

SECURE FLAP

COVER LOCK SYSTEM

1 BODY WITH HIGH FLOW RATE

The body of the rain drum is made from polypropylene reinforced with fiber glass. This makes it highly resistant to chemical, mechanical and thermal damage. Deeper and steeper gradient of the rain drum body enables a faster and bigger water flow towards the sewer. Flow rate can reach 550 l/min. Ribbing provides shape stability after concrete casting. Connection to the waste can be either side or straight. The straight connection has a diameter of either DN 110 or 125, or a universal option DN 125/110. Diameter DN 110 is suitable for draining a roof surface of 116 m². Diameter DN 125 is suitable for draining a roof surface of 190 m². The rain drum body comes in Black or Grey colours.

2 SECURE FLAP

The flap plays the role of a dry odour trap, prevents the rise of gases from sewer. It also prevents rodents from passing from the waste pipe. It closes with its own weight and is secured against flooding.

3 BASKET FOR CATCHING DIRT AND LEAVES

The basket catches coarse material (mainly leaves) and by doing so prevents the blocking of the waste pipe. Narrow ribbed bottom of the basket allows for a gradual dissepation of rotting leaves into the sewer. The basket can be easily removed and cleaned.



Stainless steel basket for catching dirt and leaves

As an accessory you can purchase a stainless steel basket for catching dirt and leaves, while it is also resistant to damage from rodents thus preventing them from accessing the roof downpipes. This basket is compatible with the majority of rain drums of the market.

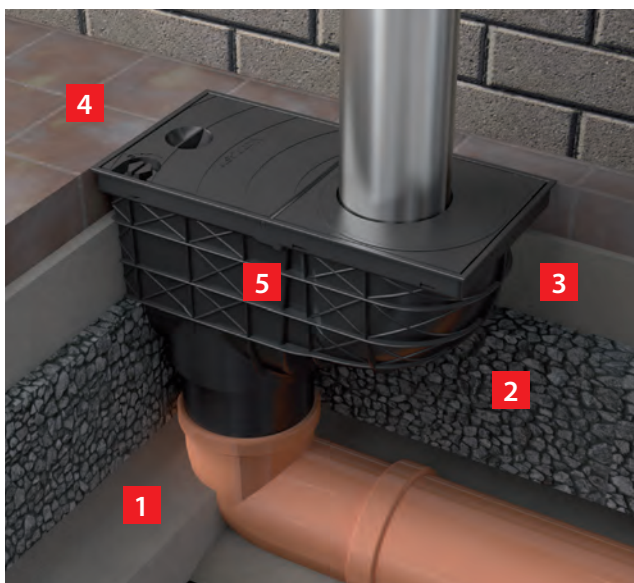
4 INLET RINGS

Included in the box with each rain drum is a set of eccentric inlet rings. They are used to connect the roof downpipes of diameters 80, 90, 100, 110 and 125 mm to the rain drums. The material from which the inlet rings are made contains UV stabilizers against aging, fading and degradation of plastic. Frame and inlet rings are manufactured in black, gray or brick-red color. This makes it possible to combine the visible parts of the rain drum with the chosen color of the pavement.

5 COVER LOCK SYSTEM

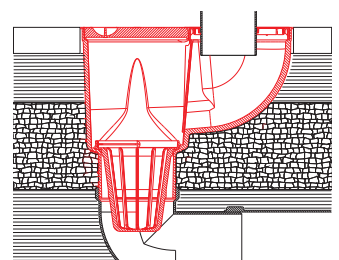
Using the cover lock during heavy rain prevents the cover from opening and flooding the area around it. Also when locked it stops children from accessing the rain drum while playing. The cover and lock are available in black, gray or brick-red color. This makes it possible to combine the visible parts of the rain drum with the chosen color of the pavement.

Universal rain drum installation



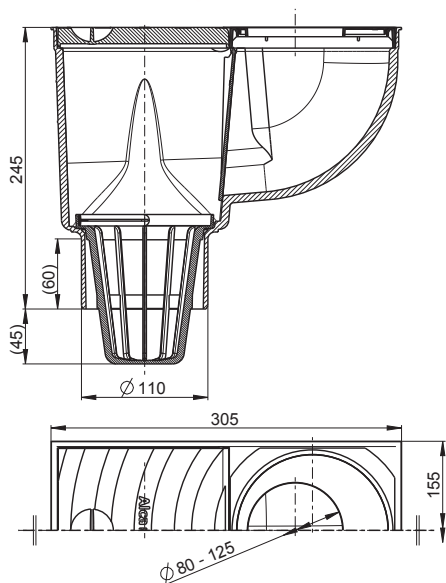
Universal rain drum INSTALLATION

- 1 Soil
- 2 Coarse gravel
- 3 Fine gravel (sand)
- 4 Outdoor tiles
- 5 Universal rain drum



AGV1

Rain drum 300 × 155/110 straight outlet, black

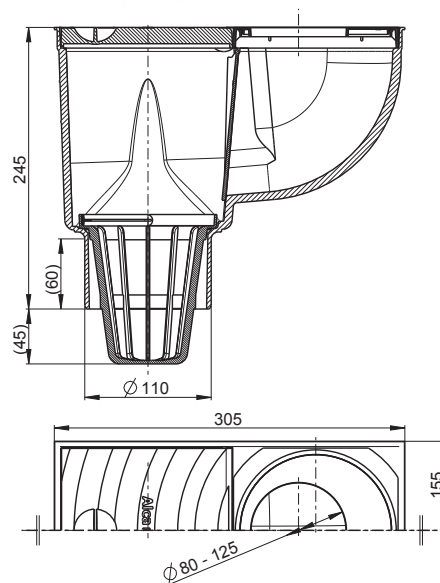


Connection	DN 110; straight outlet; connection to HT pipes
Odour trap	Dry odour trap with flap
Flowrate	400 l/min.
Material	Black PP – polypropylene enriched with glass fibers – resistant to mechanical, chemical and thermal damage
Inlet	DN 125 or DN 80, 90, 100, 110 when using the appropriate eccentric pipe insert
Load class	K3 = max. 300 kg
Standard	ČSN EN 1451-1
Recommended for	Easy connection of the external pipe intended for collecting the rain water into the sewer to the drain
Included	Basket for collecting dirt, dry trap with a flap, sealing eccentric inserts for pipe diameters of DN 80, 90, 100, 110
Carton	Packing 5 pcs.; dimension 545×335×440 mm; weight 5.8 kg
Additional information	After installation, the visible part of the rain drum can be swapped for parts in grey or red color



AGV1S

Rain drum 300 × 155/110 straight outlet, grey



Connection	DN 110; straight outlet; connection to HT pipes
Odour trap	Dry odour trap with flap
Flowrate	400 l/min.
Material	Grey PP – polypropylene enriched with glass fibers – resistant to mechanical, chemical and thermal damage
Inlet	DN 125 or DN 80, 90, 100, 110 when using the appropriate eccentric pipe insert
Load class	K3 = max. 300 kg
Standard	ČSN EN 1451-1
Recommended for	Easy connection of the external pipe intended for collecting the rain water into the sewer to the drain
Included	Basket for collecting dirt, dry trap with a flap, sealing eccentric inserts for pipe diameters of DN 80, 90, 100, 110
Carton	Packing 5 pcs.; dimension 545×335×440 mm; weight 5.8 kg
Additional information	After installation, the visible part of the rain drum can be swapped for parts in black or red color



UNIVERSAL RAIN DRUMS – PARTS



AGV900

AGV900S

AGV910

AGV910S

AGV920

AGV920S

AGV930

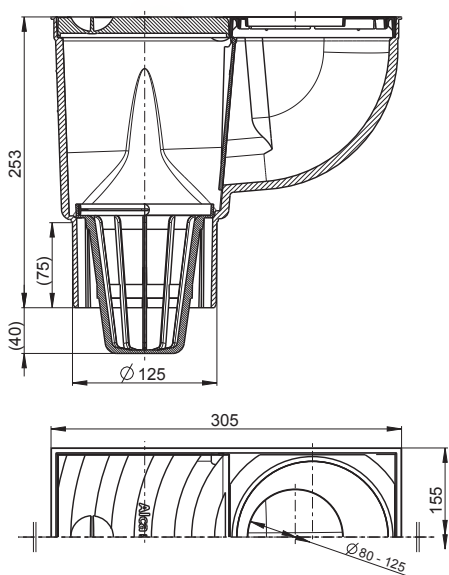
AGV930S

AGV940

AGV940S

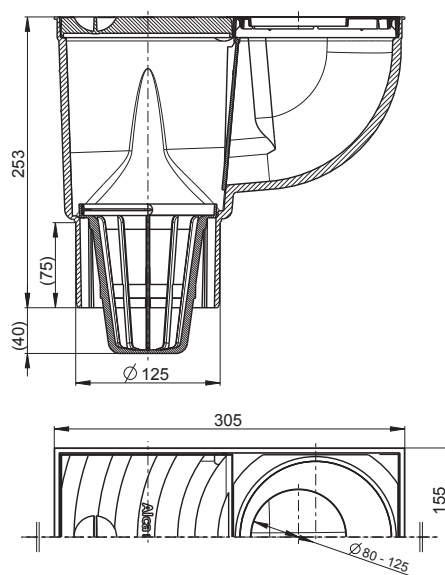
AGV2

Rain drum 300 × 155/125 straight outlet, black



AGV2S

Rain drum 300 × 155/125 straight outlet, grey



Connection	DN 125; straight outlet; connection to HT pipes
Odour trap	Dry odour trap with flap
Flowrate	550 l/min.
Material	Black PP – polypropylene enriched with glass fibers – resistant to mechanical, chemical and thermal damage
Inlet	DN 125 or DN 80, 90, 100, 110 when using the appropriate eccentric pipe insert
Load class	K3 = max. 300 kg
Standard	ČSN EN 1451-1
Recommended for	Easy connection of the external pipe intended for collecting the rain water into the sewer to the drain
Included	Basket for collecting dirt, dry trap with a flap, sealing eccentric inserts for pipe diameters of DN 80, 90, 100, 110
Carton	Packing 5 pcs.; dimension 545×335×440 mm; weight 6.0 kg
Additional information	After installation, the visible part of the rain drum can be swapped for parts in grey or red color

Connection	DN 125; straight outlet; connection to HT pipes
Odour trap	Dry odour trap with flap
Flowrate	550 l/min.
Material	Grey PP – polypropylene enriched with glass fibers – resistant to mechanical, chemical and thermal damage
Inlet	DN 125 or DN 80, 90, 100, 110 when using the appropriate eccentric pipe insert
Load class	K3 = max. 300 kg
Standard	ČSN EN 1451-1
Recommended for	Easy connection of the external pipe intended for collecting the rain water into the sewer to the drain
Included	Basket for collecting dirt, dry trap with a flap, sealing eccentric inserts for pipe diameters of DN 80, 90, 100, 110
Carton	Packing 5 pcs.; dimension 545×335×440 mm; weight 6.0 kg
Additional information	After installation, the visible part of the rain drum can be swapped for parts in black or red color



UNIVERSAL RAIN DRUMS – PARTS



AGV900

AGV900S

AGV910

AGV910S

AGV920

AGV920S

AGV930

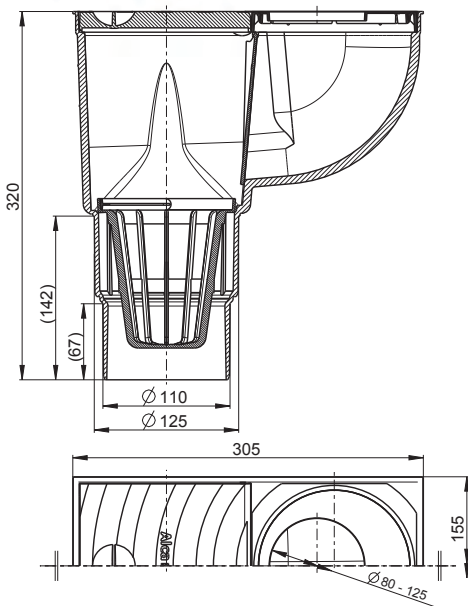
AGV930S

AGV940

AGV940S

AGV4

Rain drum 300 × 155/125/110 side outlet, black

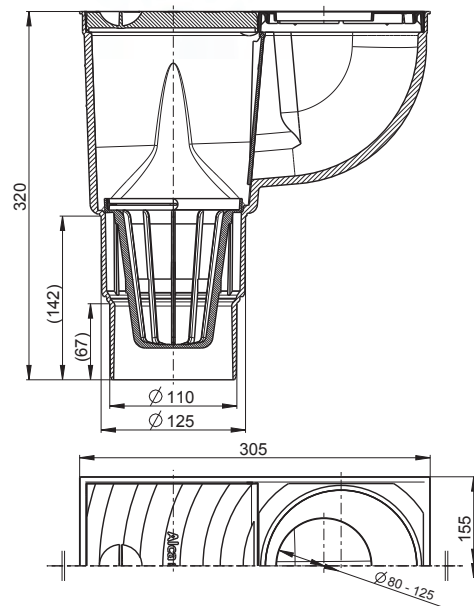


Connection	DN 110 po odříznutí DN 125; straight outlet; connection to HT pipes
Odour trap	Dry odour trap with flap
Flowrate	400 l/min.; 550 l/min.
Material	Black PP – polypropylene enriched with glass fibers – resistant to mechanical, chemical and thermal damage
Inlet	DN 125 or DN 80, 90, 100, 110 when using the appropriate eccentric pipe insert
Load class	K3 = max. 300 kg
Standard	ČSN EN 1451-1
Recommended for	Easy connection of the external pipe intended for collecting the rain water into the sewer to the drain
Included	Basket for collecting dirt, dry trap with a flap, sealing eccentric inserts for pipe diameters of DN 80, 90, 100, 110
Carton	Packing 4 pcs.; dimension 655×335×345 mm; weight 5.2 kg
Additional information	After installation, the visible part of the rain drum can be swapped for parts in grey or red color



AGV4S

Rain drum 300 × 155/125/110 side outlet, grey



Connection	DN 110 po odříznutí DN 125; straight outlet; connection to HT pipes
Odour trap	Dry odour trap with flap
Flowrate	400 l/min.; 550 l/min.
Material	Grey PP – polypropylene enriched with glass fibers – resistant to mechanical, chemical and thermal damage
Inlet	DN 125 or DN 80, 90, 100, 110 when using the appropriate eccentric pipe insert
Load class	K3 = max. 300 kg
Standard	ČSN EN 1451-1
Recommended for	Easy connection of the external pipe intended for collecting the rain water into the sewer to the drain
Included	Basket for collecting dirt, dry trap with a flap, sealing eccentric inserts for pipe diameters of DN 80, 90, 100, 110
Carton	Packing 4 pcs.; dimension 655×335×345 mm; weight 5.2 kg
Additional information	After installation, the visible part of the rain drum can be swapped for parts in black or red color



UNIVERSAL RAIN DRUMS – PARTS

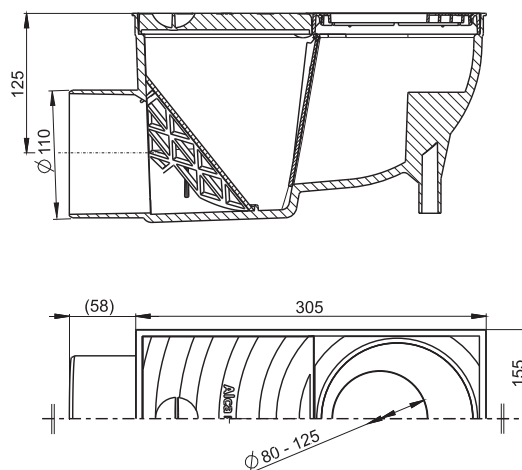
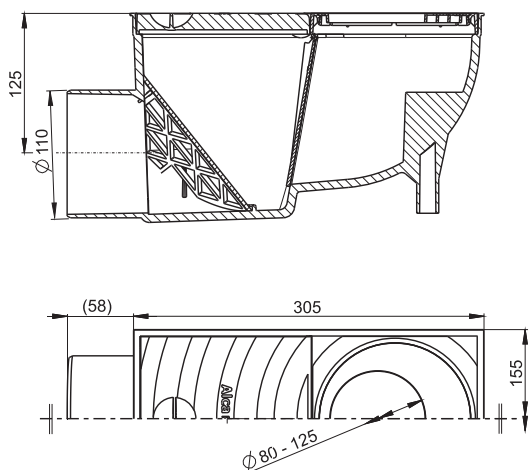


AGV3

Rain drum 300 × 155/110 side outlet, black

AGV3S

Rain drum 300 × 155/110 side outlet, grey

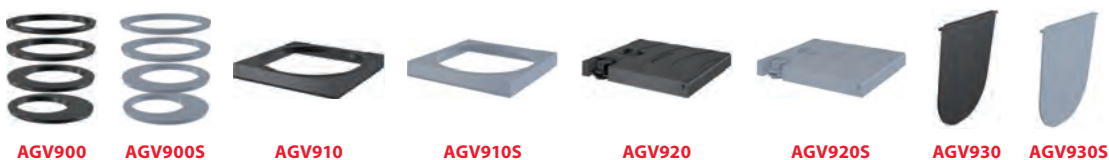


Connection	DN 110; side outlet; connection to HT pipes
Odour trap	Dry odour trap with flap
Flowrate	400 l/min
Material	Black PP – polypropylene enriched with glass fibers – resistant to mechanical, chemical and thermal damage
Inlet	DN 125 or DN 80, 90, 100, 110 when using the appropriate eccentric pipe insert
Load class	K3 = max. 300 kg
Standard	ČSN EN 1451-1
Recommended for	Easy connection of the external pipe intended for collecting the rain water into the sewer to the drain
Included	Basket for collecting dirt, dry trap with a flap, sealing eccentric inserts for pipe diameters of DN 80, 90, 100, 110
Carton	Packing 4 pcs.; dimension 390×380×350 mm; weight 4.4 kg
Additional information	After installation, the visible part of the rain drum can be swapped for parts in grey or red color

Connection	DN 110; side outlet; connection to HT pipes
Odour trap	Dry odour trap with flap
Flowrate	400 l/min
Material	Black PP – polypropylene enriched with glass fibers – resistant to mechanical, chemical and thermal damage
Inlet	DN 125 or DN 80, 90, 100, 110 when using the appropriate eccentric pipe insert
Load class	K3 = max. 300 kg
Standard	ČSN EN 1451-1
Recommended for	Easy connection of the external pipe intended for collecting the rain water into the sewer to the drain
Included	Basket for collecting dirt, dry trap with a flap, sealing eccentric inserts for pipe diameters of DN 80, 90, 100, 110
Carton	Packing 4 pcs.; dimension 390×380×350 mm; weight 4.4 kg
Additional information	After installation, the visible part of the rain drum can be swapped for parts in black or red color



UNIVERSAL RAIN DRUMS – PARTS



AGV900

AGV900S

AGV910

AGV910S

AGV920

AGV920S

AGV930

AGV930S

Universal rain drums – parts



AGV900
Insert kit – black



AGV900S
Insert kit – grey



AGV900R
Insert kit – red

PIPE INSERTS, VARIANTS



AGV910
Insert Ø125 – black



AGV910S
Insert Ø125 – grey



AGV910R
Insert Ø125 – red

PIPE INSERT Ø125



AGV911
Universal downpipe entry cover – black



AGV911S
Universal downpipe entry cover – grey

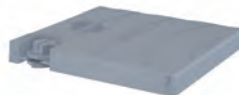


AGV911R
Universal downpipe entry cover – red

UNIVERSAL DOWNPIPE ENTRY COVERS



AGV920
Cover set – black



AGV920S
Cover set – grey



AGV920R
Cover set – red

COVER VARIANTS



AGV930
Flap – black



AGV930S
Flap – grey

FLAPS



AGV940
Basket set – black



AGV940S
Basket set – grey



AGV941
Stainless steel basket



AGV942
Stainless steel side grid

BASKET VARIANTS

Alca Shower drains



SHOWER DRAINS – MAXIMUM FLOWRATE 68 l/min.

Most shower drains on the market today use standard shower traps, for the shower trays, with limited access for cleaning and a low flow rate of around 30 l/min. ALCA shower drains, on the other hand, have a dual compartment trap specifically designed for this purpose and can reach flow rates of up to 68 l/min. This guarantees that no flooding will occur in your bathroom even when using big format shower heads with a very high flow rate of water.

ALCA SHOWER DRAINS HAVE FULLY CLEANABLE TRAPS

One odour trap is standard, but the ALCA shower drain utilise a two-flow compartment system, with removable inlet parts. This creates a dual odour trap system that allows simple and complete cleaning of both flow compartments as far as the waste pipe.

ALCA SHOWER DRAINS HAVE LOW INSTALLATION HEIGHT REQUIREMENTS

ALCA shower drains conform to today's high installation standards. The lowest installation height offered by ALCA drains is 55 mm, which is ideal for renovations in older houses with relatively shallow concrete floors. However, the 85 mm height is the preferred option for new constructions, where the height of the drain can be incorporated into the design.

HIGH FLOWRATE
(68 l/min.)

100% EASY
CLEAN TRAP

LOW INSTALLATION
HEIGHT (55 mm)

25 YEAR WARRANTY

COMPLETE
TECHNICAL AND
DESIGN SOLUTIONS

TAILORED TO FIT
SOLUTIONS WITHIN
30 DAYS



25 YEAR WARRANTY

ALCA shower drains are made of high quality stainless steel and this, plus their construction, ensures they are highly resistant to damage. Electrochemical polishing prevents dirt from settling inside the channel and increases its resistance to corrosion and leaks. The bright metallic finish is free of any impurities and smoother than the original stainless steel material.

COMPLETE TECHNICAL AND DESIGN SOLUTIONS

The ALCA solutions offered here meet the most exacting requirements of all top architects and designers. There are shower drains specifically designed for free standing, wall mounted and corner shower installations, with different heights and also the Spa flow system. You can pick the grid of your choice from 30 basic designs, including both glass and artificial stone options.

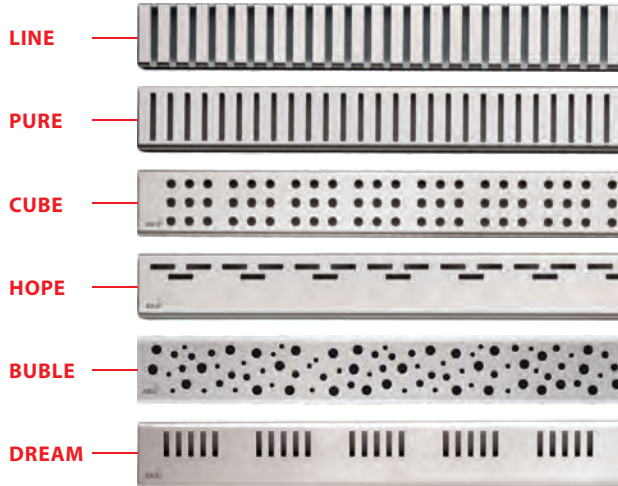
CUSTOM MADE SOLUTIONS WITHIN 30 DAYS

All the standard ALCA drains can be custom made in any size, from 300 to 2,200 mm in length. Larger sizes, or a different solution to specific drainage requirements, can be supplied on an individual basis after discussion with our sales representatives. These tailor-made solutions will naturally retain the high performance characteristics and advantages of all ALCA shower drains.



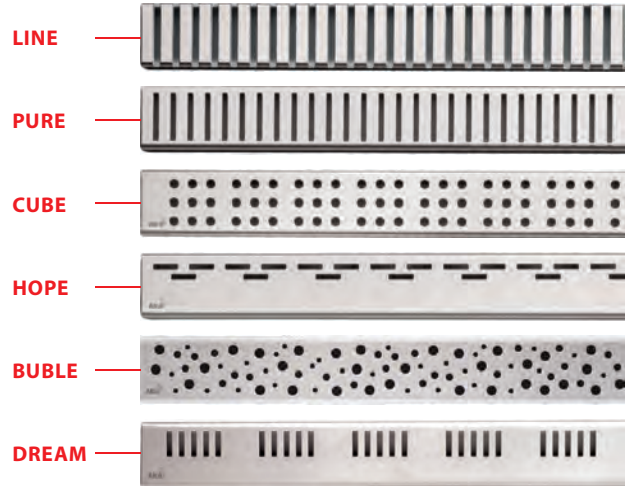
APZ1, APZ101 Low

Shower drain with an edge for perforated grids



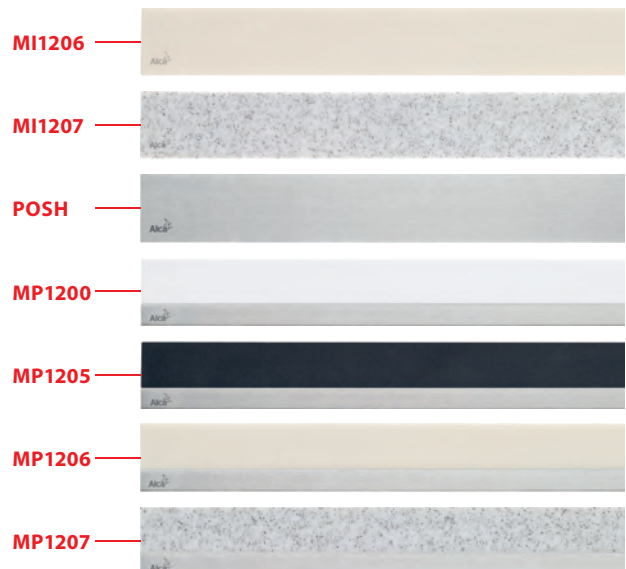
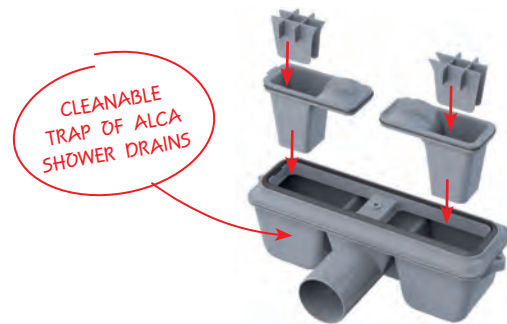
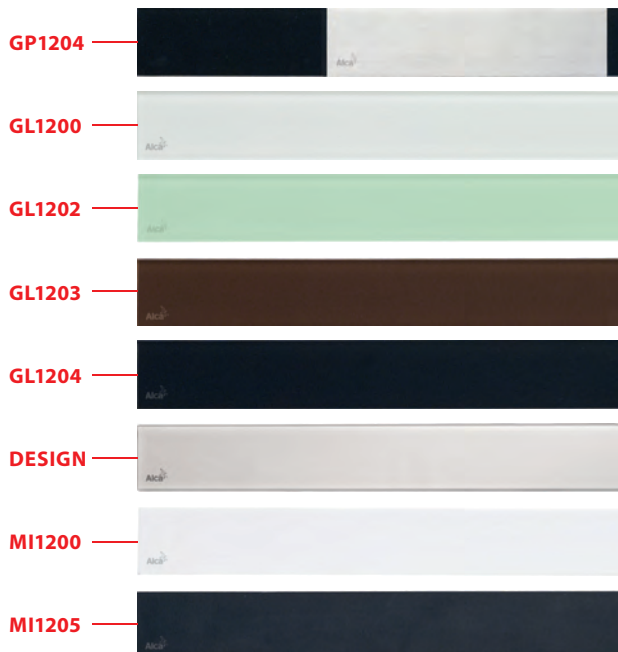
APZ4 Flexible, APZ104 Flexible Low

Shower drain for perforated grids and adjustable vertical flange to the wall



APZ6 Professional, APZ106 Professional Low

Shower drain with an edge for full grids





APZ7 Floor, APZ107 Floor Low

Shower drain with a border designed to take grids with embedded tiles

FLOOR



APZ5 Spa

Waste system for installation in walls

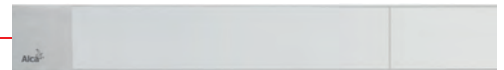
EDEN



SHADE



TWIN



ARZ1

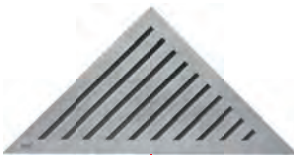
Corner shower drains without an edge for perforated corner grids



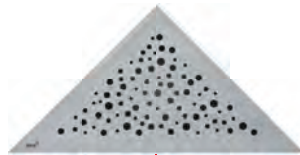
LIFE



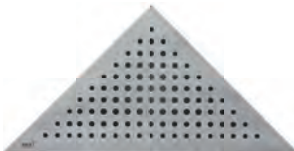
TIME



GRACE



VIEW



TRITON



APZ8 Simple, APZ9 Simple, APZ10 Simple

Shower drain with an edge for perforated grids

The grid is part of APZ8



The grid is part of APZ9



The grid is part of APZ10



Further information can be found in our catalogue for **Shower drains 2014**

ALCAPLAST team of specialists is always on hand to help with design, installation and to quote project prices of our products!

Czech Product
ISO 9001:2009

Edition 3/2014 EN, © Alca plast, s. r. o.
Changes in dimension and design reserved.



Alca PLAST®

CZECH REPUBLIC

Alca plast, s. r. o.
Bratislavská 2846, 690 02 Břeclav
tel.: +420 519 821 044
tel.: +420 519 821 041
fax: +420 519 821 083
e-mail: alcaplast@alcaplast.cz

www.alcaplast.com